

## Standard CPU Holders

*Series Models*

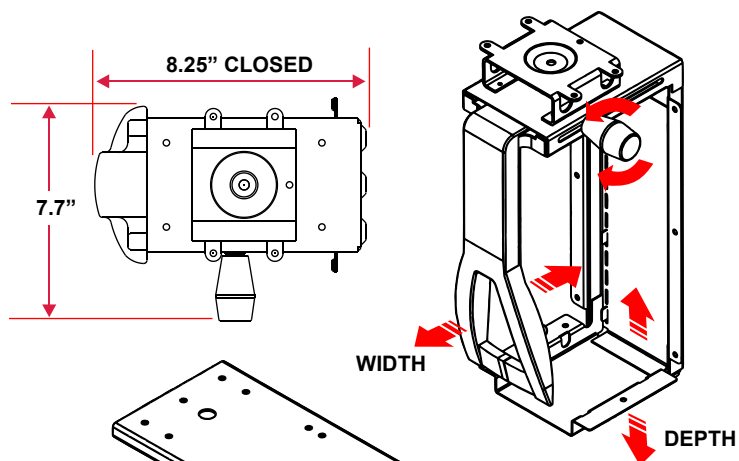
7301D (U-PCPU)  
7351D  
7356D

Our CPU holders have significantly changed over the years with many enhancements. The current plastic side clamp with bumpers replaced the metal version to increase stability and clamping force as well as dramatically improving the aesthetics. The knob for adjusting the clamp replaced the old style lever for improved usability. Models include a fixed mount, plastic glide track and ball bearing track for under desk storage. CPU holders are also side mountable.



# CPU Holders Specs

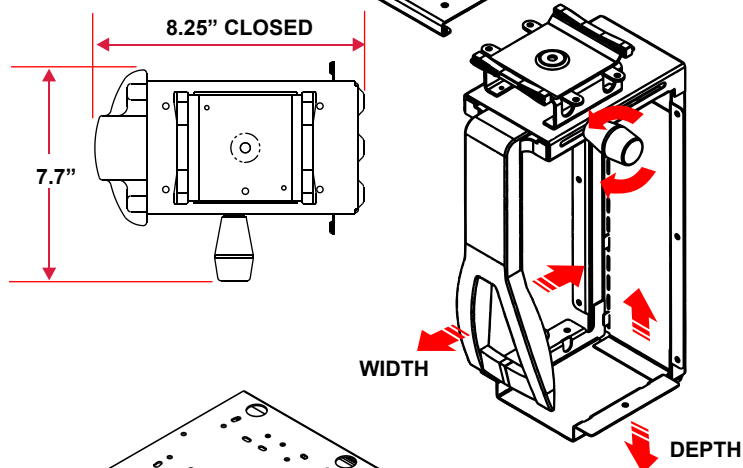
## 7300 Series Standard CPU Holders



### 7301D (U-PCPU)

Fixed mount CPU holder,  
non-storable with soft touch knob for clamping

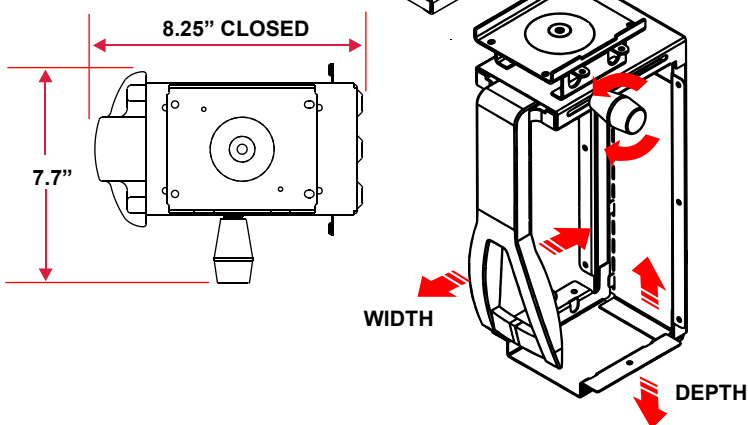
WIDTH: Adjustable 3.5" to 9.3"  
HEIGHT: Adjustable 12.5" to 22.5"  
LOAD RATING: 85 lbs  
MATERIAL: Steel, some plastic parts  
FINISH: Black wrinkle paint  
WEIGHT: 9 lbs



### 7351D

Swivel CPU holder with soft touch knob for  
clamping and under desk storable on a plastic  
glide track

WIDTH: Adjustable 3.5" to 9.3"  
HEIGHT: Adjustable 12.5" to 22.5"  
LOAD RATING: 85 lbs  
MATERIAL: Steel, some plastic parts  
FINISH: Black wrinkle paint  
WEIGHT: 13 lbs



### 7356D

Swivel CPU holder with soft touch knob for  
clamping and under desk storable on a ball  
bearing track

WIDTH: Adjustable 3.5" to 9.3"  
HEIGHT: Adjustable 12.5" to 22.5"  
LOAD RATING: 85 lbs  
MATERIAL: Steel, some plastic parts  
FINISH: Black wrinkle paint  
WEIGHT: 17 lbs

**NOTE:**

1. Weight = packaged shipping weight per unit.
2. Specifications are subject to change without notice.