



VAUTH-SAGEL
SYSTEMTECHNIK



Tall cabinets

Wall cabinets



Base cabinets



Corner cabinets



Full Catalogue 2009
Technical Data



Pull-out K 150

- Equipped with 2 fixed trays, as towel holder or baking-tin holder.
- Tool-free assembly of the pull-out.
- 3D front adjustment.
- Pull-out with damping.
- Variants for 90 degrees or 45 degrees.

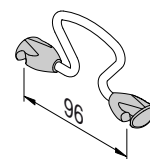
patent protected



Towel holder



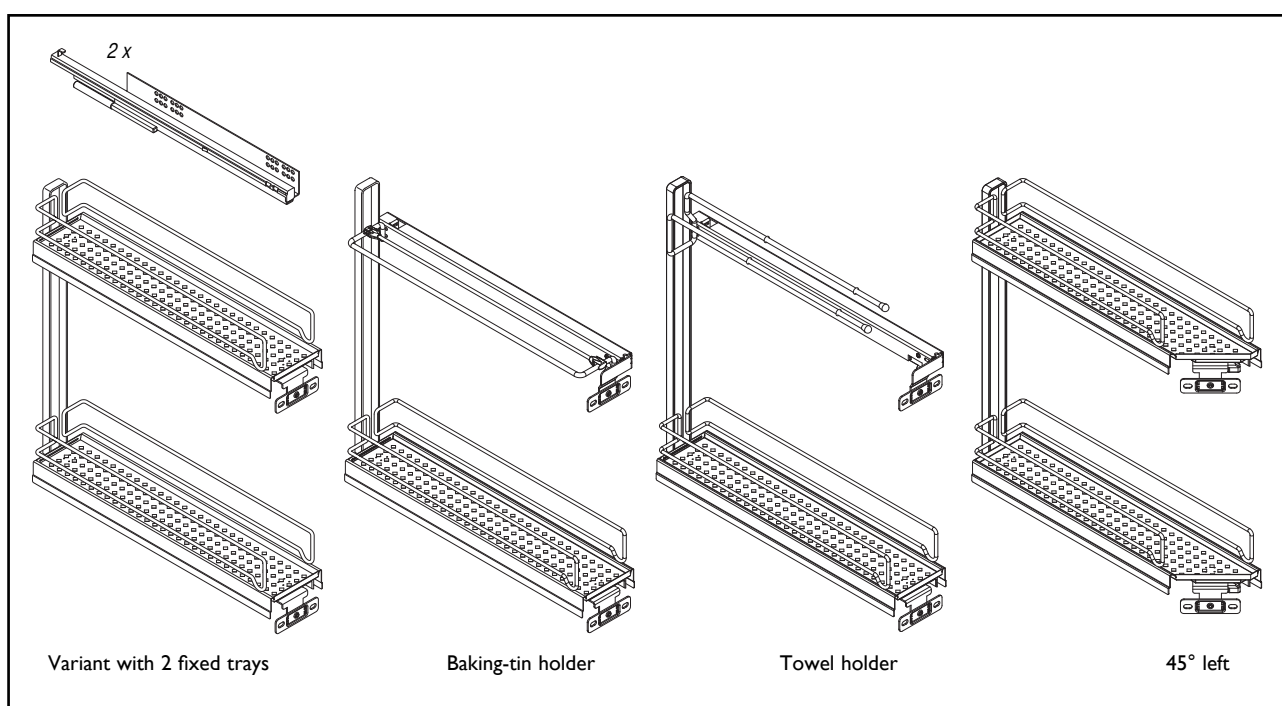
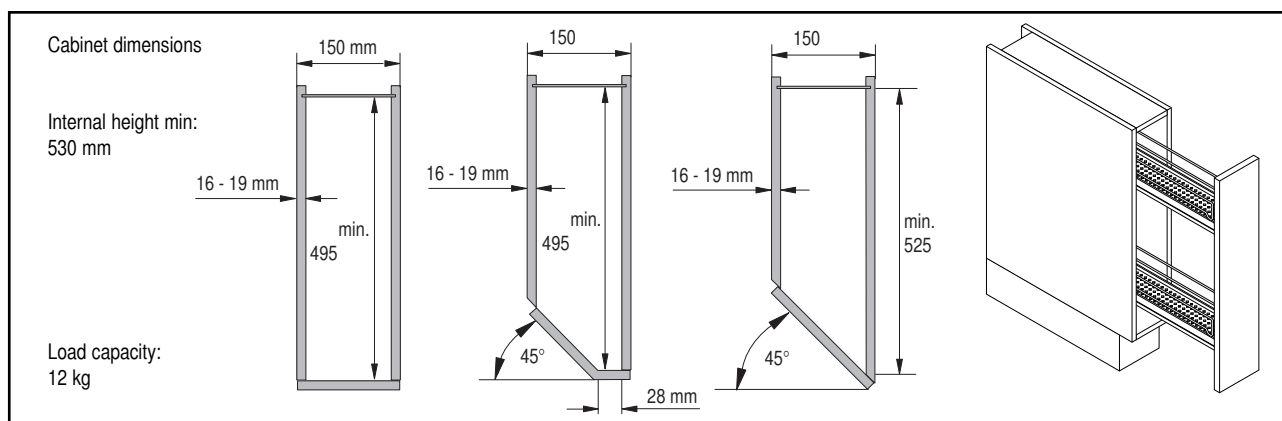
Baking-tin holder



Bottle divider

Technical data

Pull-out K 150



VS-Art.-No.	Description		Amount
9000 1949	Pull-out K150 / 90 degree-left / RAL 9006	for 90° front	1 set
9000 2690	Pull-out K150 / 90 degree-left / chrome	for 90° front	1 set
9000 2773	Pull-out K150 / 45 degree-right / RAL 9006	for 45° front right	1 set
9000 2774	Pull-out K150 / 45 degree-left / RAL 9006	for 45° front left	1 set
9000 2995	Pull-out K150 / 45 degree-left / chrome	for 45° front right	1 set
9000 2996	Pull-out K150 / 45 degree-right / chrome	for 45° front left	1 set
9000 1950	Pull-out combi K150 / 90 degree-left / RAL 9006	for 90° front with towel holder	1 set
9000 1951	Pull-out combi K150 / 90 degree-left / RAL 9006	for 90° front with baking-tin holder	1 set
9000 2691	Pull-out combi K150 / 90 degree-left / chrome	for 90° front with towel holder	1 set
9000 2692	Pull-out combi K150 / 90 degree-left / chrome	for 90° front with baking-tin holder	1 set
9000 2784	Bottle divider 96 mm	RAL 9006	1 piece
9000 2711	Bottle divider 96 mm	chrome	1 piece



Wire Pull-out

- 3D front adjustment.
- Variants with 2 fixed wire baskets for cabinet widths 150 and 200 mm.
- Available for internal depths of 510 and 280 mm.
- Full pull-out.



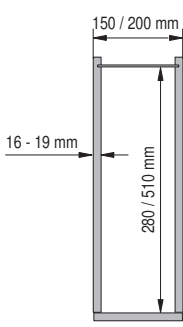
Technical data

Wire Pull-out

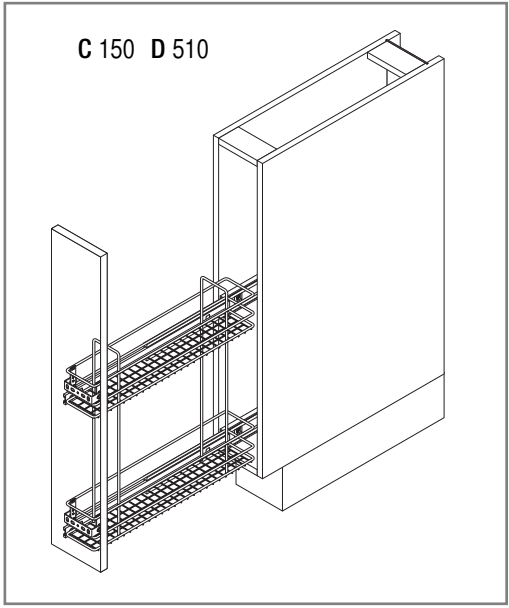
Cabinet dimensions

Internal height: 510 mm

Load capacity: 15 kg



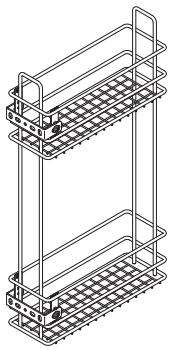
C 150 D 510



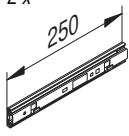
Basket dimensions

	Basket width	Basket depth	Basket height
C 150 D 280	91	264	90
C 150 D 510	91	496	90
C 200 D 280	141	264	90
C 200 D 510	141	496	90

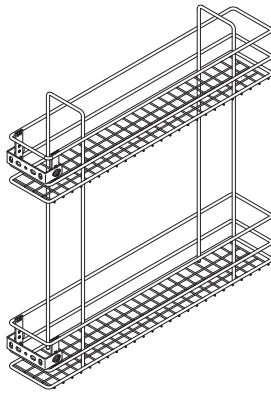
C 150 D 280



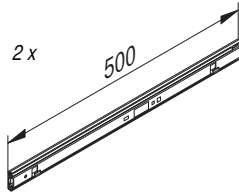
2 x



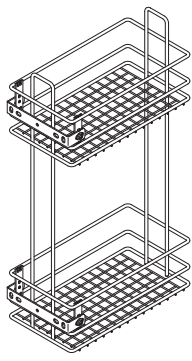
C 150 D 510



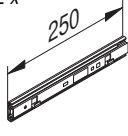
2 x



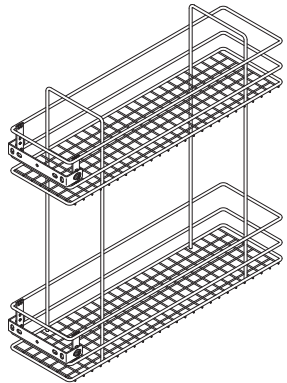
C 200 D 280



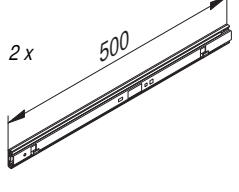
2 x



C 200 D 510



2 x



VS-Art.-No.	Description		Amount
9000 2674	Wire pull-out / 150-270 mm	2 baskets Saphir chrome	1 set
9000 2649	Wire pull-out / 150-500 mm	2 baskets Saphir chrome	1 set
9000 2675	Wire pull-out / 200-270 mm	2 baskets Saphir chrome	1 set
9000 2650	Wire pull-out / 200-500 mm	2 baskets Saphir chrome	1 set



patent protected



DSA Side Pull-out

- Basket variants for the designs of 90, 45 and 30 degrees and for body widths of 150, 200 and 300 mm.
- Height-variable installation of the baskets with additional locking.
- 3D front adjustment.
- Pull-out with damping.



Saphir basket for cabinet 150 mm



Saphir basket for cabinet 300 mm



Premea basket for cabinet 300 mm



Premea basket for cabinet 300 mm,
45 degrees left basket



Variant with baking-tin holder



Variant with towel holder



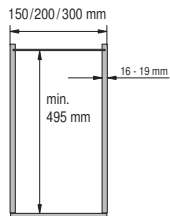
Variant with bread bag for cabinet width 300 mm

Technical data

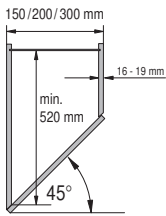
Cabinet dimensions

Load capacity:
 DSA 1-4: 20 kg
 DSA 5-8: 40 kg

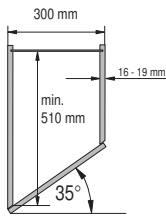
DSA W90



DSA W45



DSA W35



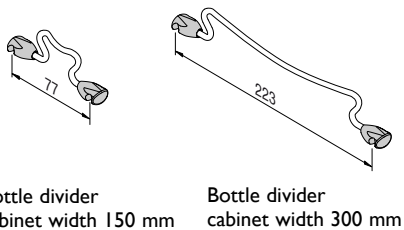
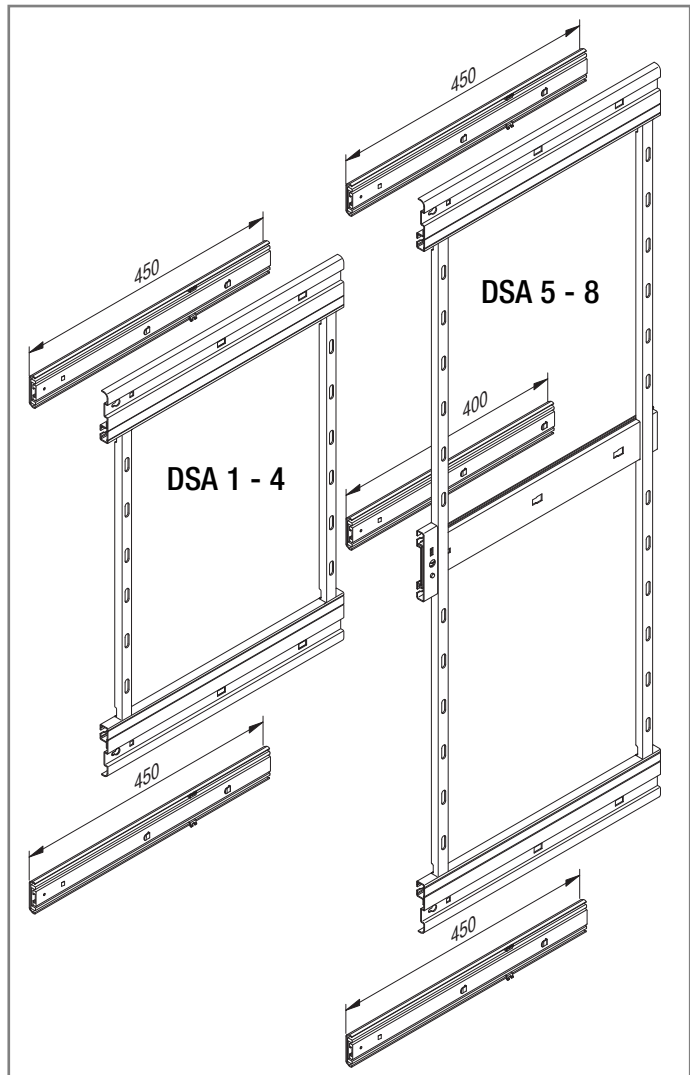
Basket dimensions

	Basket width	Basket width	Basket height
Cabinet	150 / 200 / 300	150 / 200 / 300	
W90	82 / 135 / 230	470 / 470 / 470	75
W45	82 / 135 / 230	435 / 445 / 450	75
W35	- / - / 230	- / - / 450	75

Installation dimensions

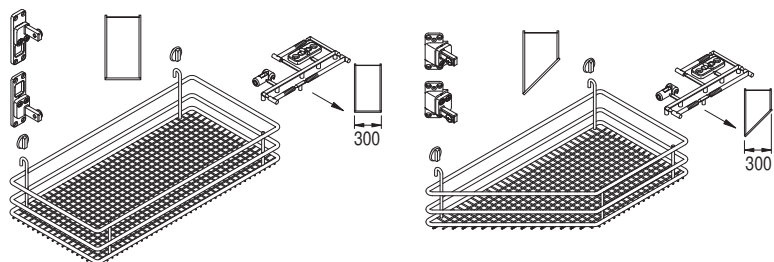
Heights

DSA 1	485 mm (2 baskets)
DSA 2	581 mm (2 baskets)
DSA 3	645 mm (2 baskets)
DSA 4	741 mm (3 baskets)
DSA 5	1221 mm (4 baskets) (3 slides)
DSA 6	1413 mm (4 baskets) (3 slides)
DSA 7	1605 mm (5 baskets) (3 slides)
DSA 8	1829 mm (6 baskets) (3 slides)



Bottle divider
cabinet width 150 mm

Bottle divider
cabinet width 300 mm



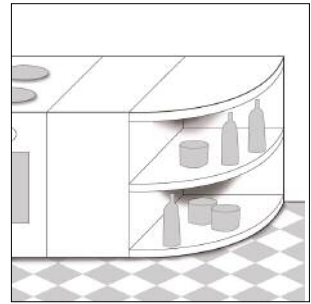
VS-Art.-No.	DSA-Frames		Amount
9000 3251	Pull-out-DSA 1-V08 / RAL 9006	including 1 damper	1 set
9000 3252	Pull-out-DSA 2-V08 / RAL 9006	including 1 damper	1 set
9000 3253	Pull-out-DSA 3-V08 / RAL 9006	including 1 damper	1 set
9000 3254	Pull-out-DSA 4-V08 / RAL 9006	including 1 damper	1 set
9000 3255	Pull-out-DSA 5-V08 / RAL 9006	including 2 dampers	1 set
9000 3256	Pull-out-DSA 6-V08 / RAL 9006	including 2 dampers	1 set
9000 3257	Pull-out-DSA 7-V08 / RAL 9006	including 2 dampers	1 set
9000 3258	Pull-out-DSA 8-V08 / RAL 9006	including 2 dampers	1 set

Basket variants on request.

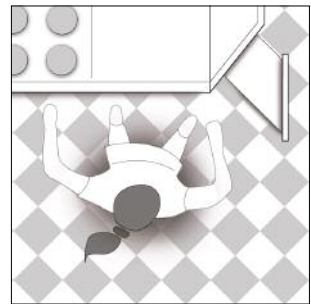


DSA rotary®

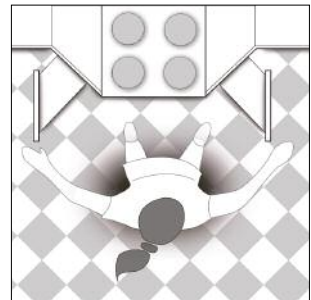
- Fittings for cabinets from 30 to 45 degrees having a width of 300 mm.
- Possibility of installation in highboards from 1.260 mm height.
- 3D front adjustment.
- Additional front stabilization for extended fronts with adjustment option for all angles.
- Height-variable installation of the baskets with baskets locking.
- Pull-out with damping..



Without DSA rotary.



Harmonious kitchen arrangement with DSA rotary.



Extended stove solution with DSA rotary.

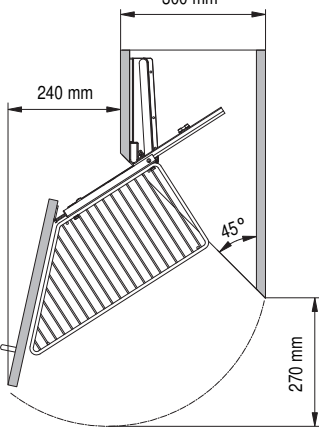


Technical data

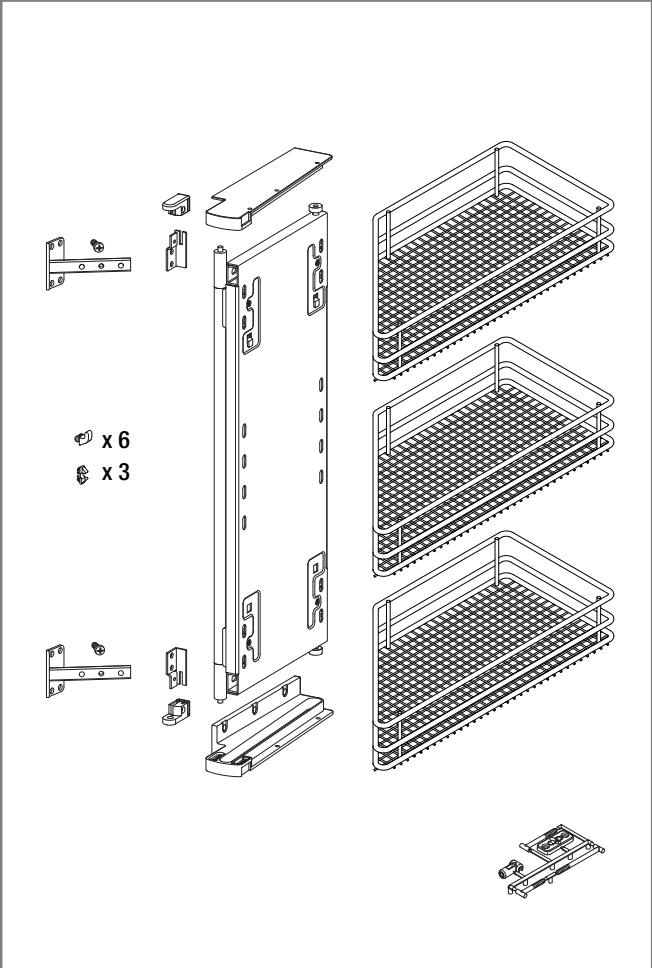
Cabinet dimensions

Height min:
630 mm

Load capacity:
16 kg



left variant



x 6
x 3

Basket dimensions

	Basket width	Basket depth	Basket height
45 degree	210	450	75

VS-Art.-No.	Description	Amount
9000 3192	DSA rotary 45 degree / left	2 baskets / Saphir chrome
9000 3191	DSA rotary 45 degree / right	2 baskets / Saphir chrome
9000 3194	DSA rotary 45 degree / left	3 baskets / Saphir chrome
9000 3193	DSA rotary 45 degree / right	3 baskets / Saphir chrome
9000 3413	DSA rotary 45 degree / left	3 baskets / Premea white chrome
9000 3414	DSA rotary 45 degree / right	3 baskets / Premea white chrome

Further variants on request.



Bread and bottles pull-out

- Pull-out with divisible full pull-out for easy assembly and problemfree cleaning.
- Available for frame widths of 300 and 400 mm.
- Pull-out with damping.



Technical data

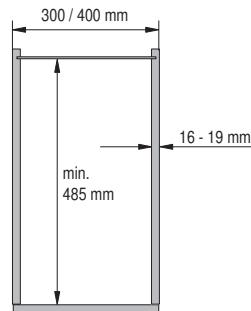
Bread and bottles pull-out

Cabinet dimensions

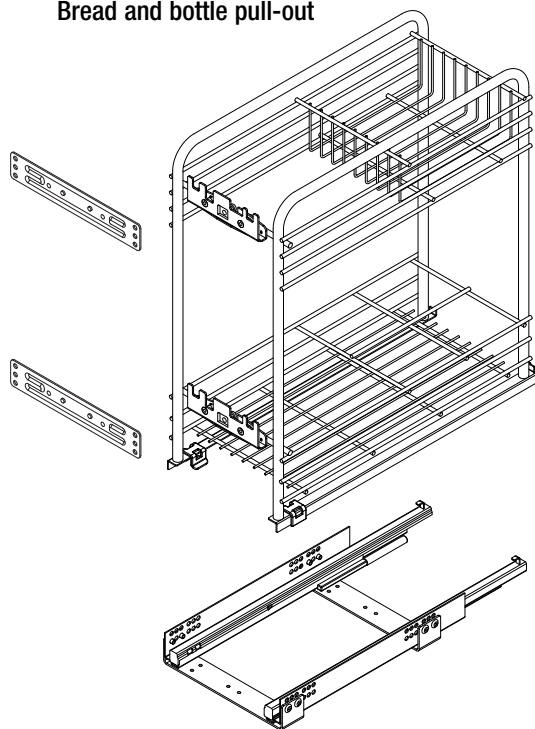
Internal height min.:
520 mm

Load capacity:
20 kg

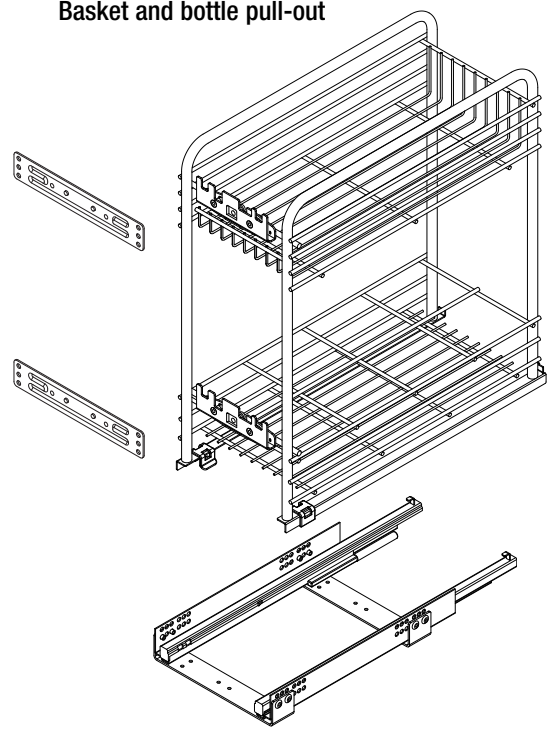
Bread bag:
100% cotton



Bread and bottle pull-out



Basket and bottle pull-out



VS-Art.-No.	Description		Amount
9000 2655	Bread and bottle pull-out 230 / RAL 9006	230*479*517 / A-225 / including 2 dampers	1 set
9000 2658	Bread and bottle pull-out 330 / RAL 9006	330*479*517 / A-323 / including 2 dampers	1 set
9000 2656	Bread and bottle pull-out 230 / RAL 9010	230*479*517 / A-225 / including 2 dampers	1 set
9000 2659	Bread and bottle pull-out 330 / RAL 9010	330*479*517 / A-323 / including 2 dampers	1 set
9000 2657	Bread and bottle pull-out 230 / chrome	230*479*517 / A-225 / including 2 dampers	1 set
9000 2660	Bread and bottle pull-out 330 / chrome	330*479*517 / A-323 / including 2 dampers	1 set
9000 2662	Basket and bottle pull-out 230 / RAL 9006	230*479*517 / A-225 / including 2 dampers	1 set
9000 2665	Basket and bottle pull-out 330 / RAL 9006	330*479*517 / A-323 / including 2 dampers	1 set
9000 2663	Basket and bottle pull-out 230 / RAL 9010	230*479*517 / A-225 / including 2 dampers	1 set
9000 2666	Basket and bottle pull-out 330 / RAL 9010	330*479*517 / A-323 / including 2 dampers	1 set
9000 2664	Basket and bottle pull-out 230 / chrome	230*479*517 / A-225 / including 2 dampers	1 set
9000 2667	Basket and bottle pull-out 330 / chrome	330*479*517 / A-323 / including 2 dampers	1 set



Basket pull-out | Front pull-out basket

- The inner pull-out can be made into a front pull-out by mounting the front connection after assembly.
- Variant with spacing strip for installation behind a door.
- Mounting of the baskets on the guides without tools.
- Full pull-out with damping.



Basket front pull-outs
left: with Saphir baskets
above: with Scalea baskets



Front connection set



Basket pull-out with spacing strip and Saphir baskets

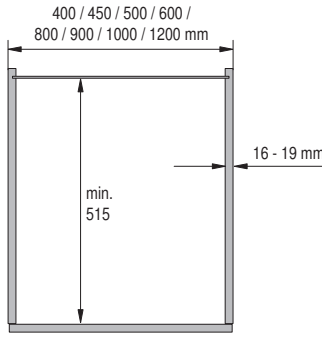
Technical data

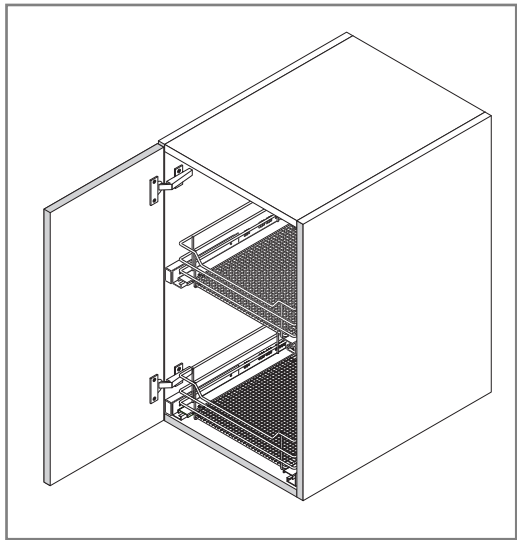
Basket pull-out | Front pull-out basket

Cabinet dimensions

Installation heights
 145 mm basket height
 160 mm height with guide,
 without front connector
 185 mm with guide and
 front connector

Load capacity:
 30 kg per basket







Variants for sink base units for frame widths of 900 mm.

VS-Art.-No.	Description		Amount
9000 0917	Basket pull-out cabinet 400 mm / Saphir chrome	1 basket 313*487*145 / Tandem guides / with spacing strip	1 set
9000 0929	Basket pull-out cabinet 450 mm / Saphir chrome	1 basket 363*487*145 / Tandem guides / with spacing strip	1 set
9000 0941	Basket pull-out cabinet 500 mm / Saphir chrome	1 basket 413*487*145 / Tandem guides / with spacing strip	1 set
9000 0953	Basket pull-out cabinet 600 mm / Saphir chrome	1 basket 513*487*145 / Tandem guides / with spacing strip	1 set
9000 1521	Basket pull-out cabinet 800 mm / Saphir chrome	1 basket 688*487*145 / Tandem guides / with spacing strip	1 set
9000 1321	Basket pull-out cabinet 900 mm / Saphir chrome	1 basket 788*487*145 / Tandem guides / with spacing strip	1 set
9000 2059	Basket pull-out cabinet 1000 mm / Saphir chrome	1 basket 888*487*145 / Tandem guides / with spacing strip	1 set
9000 2063	Basket pull-out cabinet 1200 mm / Saphir chrome	1 basket 1088*487*145 / Tandem guides / with spacing strip	1 set
9000 0923	Front pull-out basket cabinet 400 mm / Saphir chrome	1 basket 338*487*145, Tandem guides	1 set
9000 0935	Front pull-out basket cabinet 450 mm / Saphir chrome	1 basket 388*487*145, Tandem guides	1 set
9000 0947	Front pull-out basket cabinet 500 mm / Saphir chrome	1 basket 438*487*145, Tandem guides	1 set
9000 0959	Front pull-out basket cabinet 600 mm / Saphir chrome	1 basket 538*487*145, Tandem guides	1 set
9000 1527	Front pull-out basket cabinet 800 mm / Saphir chrome	1 basket 738*487*145, Tandem guides	1 set
9000 1327	Front pull-out basket cabinet 900 mm / Saphir chrome	1 basket 838*487*145, Tandem guides	1 set
9000 2067	Front pull-out basket cabinet 1000 mm / Saphir chrome	1 basket 938*487*145, Tandem guides	1 set
9000 2071	Front pull-out basket cabinet 1200 mm / Saphir chrome	1 basket 1138*487*145, Tandem guides	1 set
9000 2106	EV-Spülen-Korb-Auszug K800 Saphir Chrom	1 basket 738*487*145, Tandem guides	1 set
9000 2110	EV-Spülen-Korb-Auszug K900 Saphir Chrom	1 basket 838*487*145, Tandem guides	1 set
9000 2114	EV-Spülen-Korb-Auszug K1000 Saphir Chrom	1 basket 938*487*145, Tandem guides	1 set
9000 2118	EV-Spülen-Korb-Auszug K1200 Saphir Chrom	1 basket 1138*487*145, Tandem guides	1 set
9000 1048	Front connection set chrome	for front pull-out basket / left and right connector	1 set

Further variants on request.



Dish racks

- Shelves for base, tall and wall cabinets.



Opal RAL9006



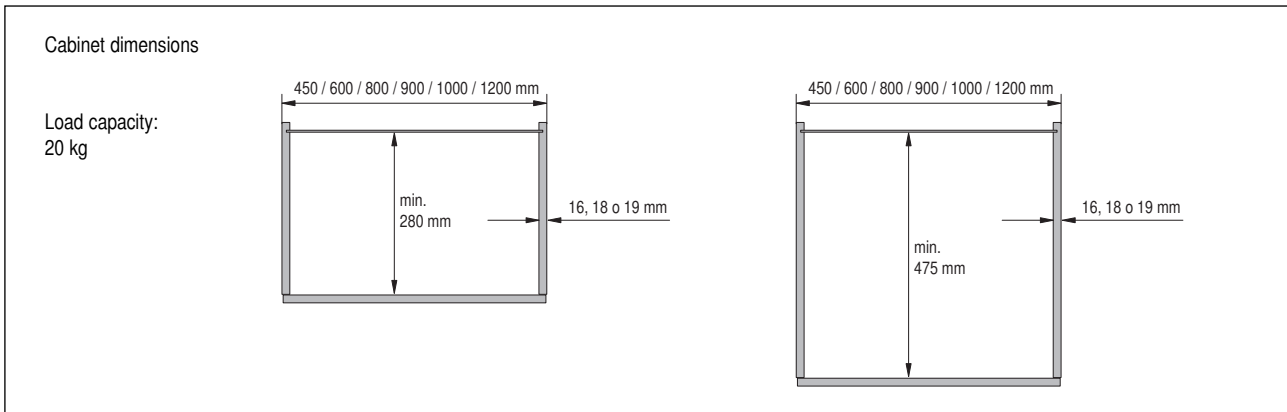
Saphir chrome



Dish rack Scalea with 6 mm glass Satinato

Technical data

Dish racks



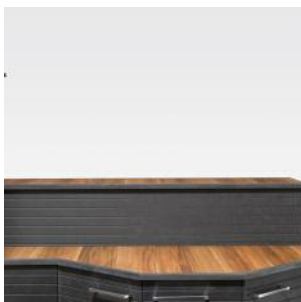
VS-Art.-No.	Description	Amount
9000 1851	Dish rack cabinet 450 mm / 270 depth / Saphir RAL 9006	1 rack 405 x 270 x 35 mm 1 set
9000 1853	Dish rack cabinet 600 mm / 270 depth / Saphir RAL 9006	1 rack 555 x 270 x 35 mm 1 set
9000 2779	Dish rack cabinet 800 mm / 270 depth / Saphir RAL 9006	1 rack 755 x 270 x 35 mm 1 set
9000 1855	Dish rack cabinet 900 mm / 270 depth / Saphir RAL 9006	1 rack 855 x 270 x 35 mm 1 set
9000 1857	Dish rack cabinet 1000 mm / 270 depth / Saphir RAL 9006	1 rack 955 x 270 x 35 mm 1 set
9000 1859	Dish rack cabinet 1200 mm / 270 depth / Saphir RAL 9006	1 rack 1155 x 270 x 35 mm 1 set
9000 1841	Dish rack cabinet 450 mm / 465 depth / Saphir RAL 9006	1 rack 405 x 465 x 35 mm 1 set
9000 1843	Dish rack cabinet 600 mm / 465 depth / Saphir RAL 9006	1 rack 555 x 465 x 35 mm 1 set
9000 2777	Dish rack cabinet 800 mm / 465 depth / Saphir RAL 9006	1 rack 755 x 465 x 35 mm 1 set
9000 1845	Dish rack cabinet 900 mm / 465 depth / Saphir RAL 9006	1 rack 855 x 465 x 35 mm 1 set
9000 1847	Dish rack cabinet 1000 mm / 465 depth / Saphir RAL 9006	1 rack 955 x 465 x 35 mm 1 set
9000 1849	Dish rack cabinet 1200 mm / 465 depth / Saphir RAL 9006	1 rack 1155 x 465 x 35 mm 1 set
9000 1852	Dish rack cabinet 450 mm / 270 depth / Saphir chrome	1 rack 405 x 270 x 35 mm 1 set
9000 1854	Dish rack cabinet 600 mm / 270 depth / Saphir chrome	1 rack 555 x 270 x 35 mm 1 set
9000 2778	Dish rack cabinet 800 mm / 270 depth / Saphir chrome	1 rack 755 x 270 x 35 mm 1 set
9000 1856	Dish rack cabinet 900 mm / 270 depth / Saphir chrome	1 rack 855 x 270 x 35 mm 1 set
9000 1858	Dish rack cabinet 1000 mm / 270 depth / Saphir chrome	1 rack 955 x 270 x 35 mm 1 set
9000 1860	Dish rack cabinet 1200 mm / 270 depth / Saphir chrome	1 rack 1155 x 270 x 35 mm 1 set
9000 1842	Dish rack cabinet 450 mm / 465 depth / Saphir chrome	1 rack 405 x 465 x 35 mm 1 set
9000 1844	Dish rack cabinet 600 mm / 465 depth / Saphir chrome	1 rack 555 x 465 x 35 mm 1 set
9000 2776	Dish rack cabinet 800 mm / 465 depth / Saphir chrome	1 rack 755 x 465 x 35 mm 1 set
9000 1846	Dish rack cabinet 900 mm / 465 depth / Saphir chrome	1 rack 855 x 465 x 35 mm 1 set
9000 1848	Dish rack cabinet 1000 mm / 465 depth / Saphir chrome	1 rack 955 x 465 x 35 mm 1 set
9000 1850	Dish rack cabinet 1200 mm / 465 depth / Saphir chrome	1 rack 1155 x 465 x 35 mm 1 set

Further variants on request.



Flat move

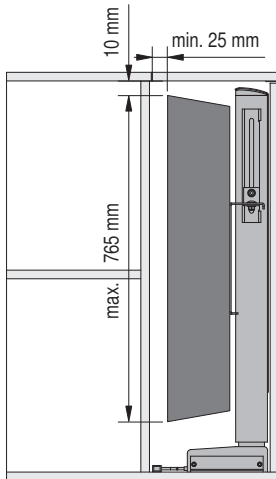
- Heavy-duty load of up to 65 kg.
- Maximum screen height of 765 mm.
- Remote control with lifetime-batteries.
- Remote control: no visible receiver in the respective piece of furniture.
- The closed system switches power off automatically.
- Additional plugs for more electronic equipment like DVD-player or camera.
- Smoothly adjustable maximum height.



Technical data

Flat move

Cabinet dimensions



Pos.	Components	Comment
1	Telescope drive Fixing screws	8 x Spax-Panhead 5 x 20
2	Control box	
3	Operating element	
4	Motor cable	
5	Mains cable	Dependent on features
6	TV switch-off	Dependent on features
7	Wireless receiver	Dependent on features
8	Wireless receiver cable	Dependent on features
9	Remote control	Dependent on features
10	Retainer plate Fixing material for retainer plate	2 x mushroom head screw M6 x 16 2 x washers 8,4 2 x hexagon nut M8

VS-Art.-No.	Description	Amount
9000 3523	Flat move TV-lift, incl. accessoires	1 set



Ironing board

- Extendable ironing board for mounting behind a drawers screen.
- Ironing board size 950 x 300 mm.



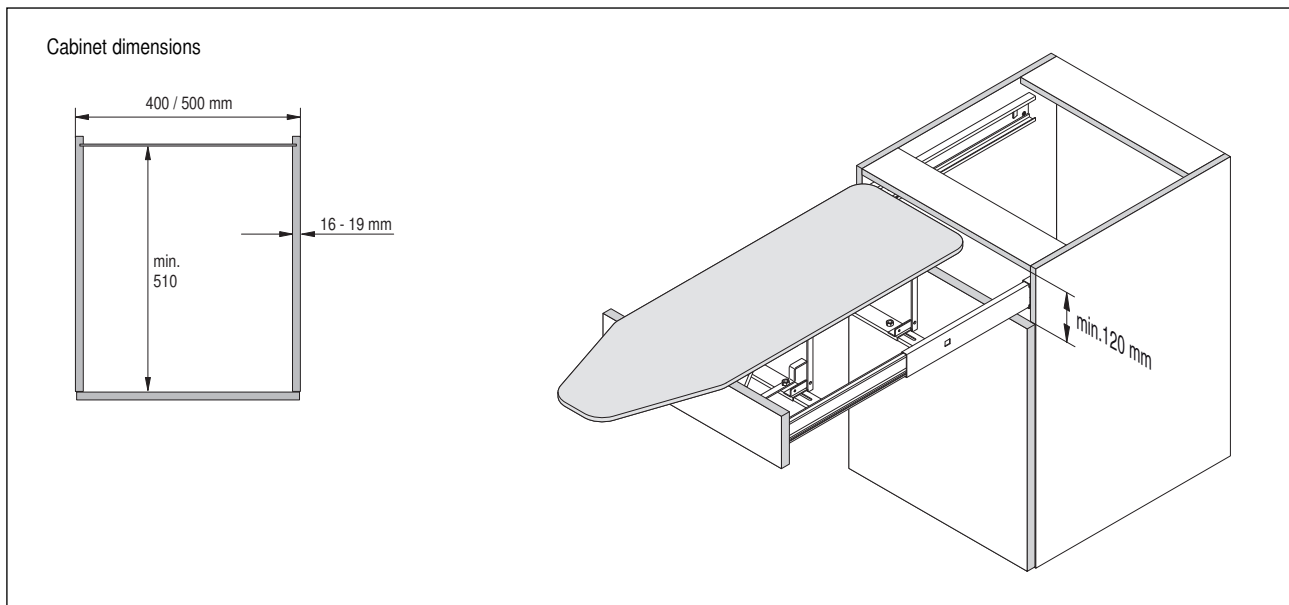
Towel holder

- Can be pulled out for side and overhead installation.
- Made of aluminium or chromium.
- Available with 1, 2, or 3 arms.
- 360 mm extendable.



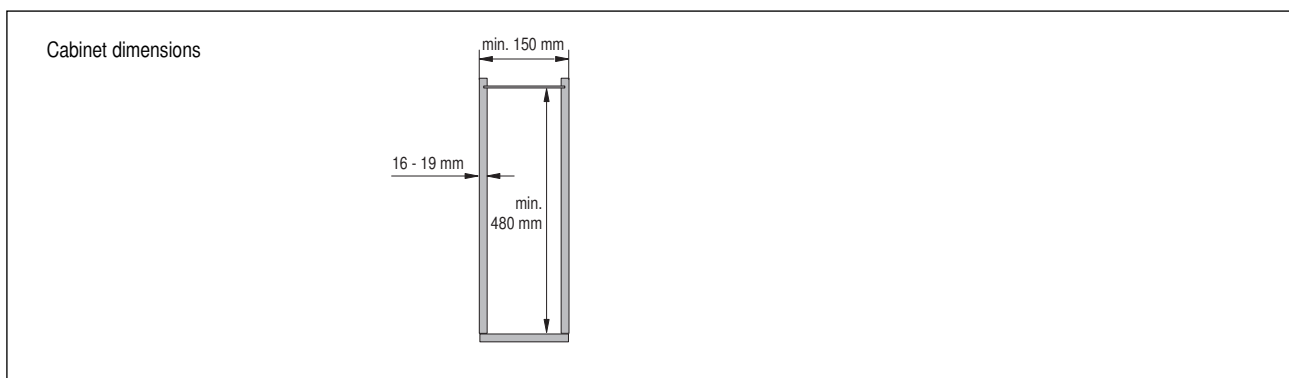
Technical data

Ironing board



VS-Art.-No.	Description	Amount
9000 0120	Extendable ironing board / RAL 9010	1 set

Towel holder



VS-Art.-No.	Description	Amount
9000 0150	Towel holder with 1 arm	chrome 1 piece
9000 0149	Towel holder with 2 arms	chrome 1 piece
9000 0146	Towel holder with 3 arms	chrome 1 piece
9000 0046	Towel holder with 1 arm	aluminium 1 piece
9000 0047	Towel holder with 2 arms	aluminium 1 piece
9000 0048	Towel holder with 3 arms	aluminium 1 piece



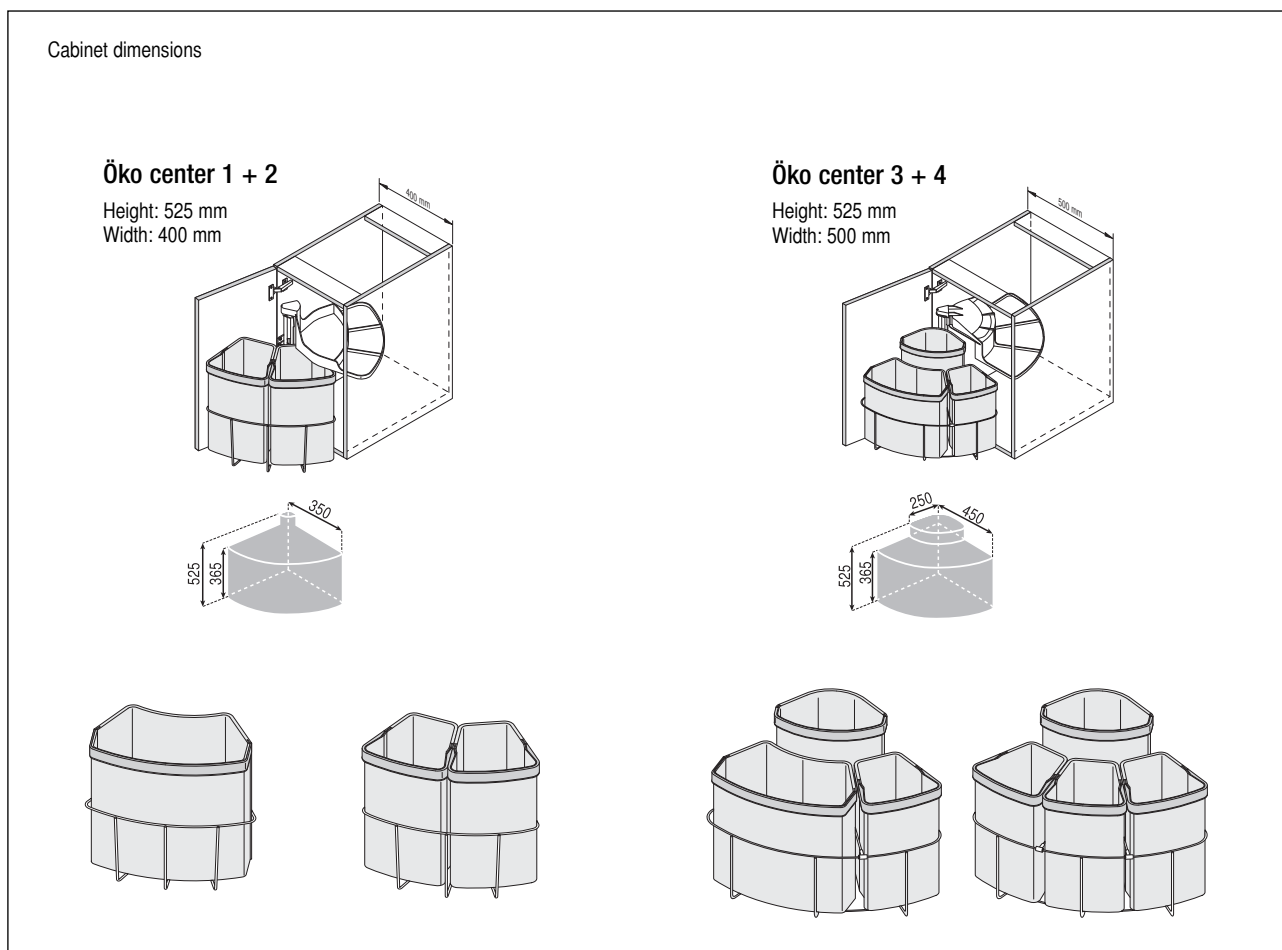
Öko center

- Containers swing out automatically upon opening the door.
- No additional loading of the front.
- The lid rises slightly upon opening, and moves back snugly against the container upon closing.
- Simple removal of the entire system for cleaning of the cupboard.
- Capacity from 18 to 39 litres.



Öko center

Technical data



VS-Art.-No.	Description		Amount
9000 3713	Öko center / 1 bin	including 1 x 18 litre bin	1 set
9000 3714	Öko center / 2 bins	including 2 x 9 litre bins	1 set
9000 3715	Öko center / 3 bins	including 1 x 9 litre , 1 x 12 litre and 1 x 18 litre bins	1 set
9000 3716	Öko center / 4 bins	including 3 x 9 litre and 1 x 12 litre bins	1 set





Öko liner®

- Front pull-out system for waste separation in two different heights.
- Widths from 400 to 600 mm.
- Fastening of the containers on the slides without tools.
- Built-in assembly templates at the slides: no prior measuring in the cabinet necessary.
- Extendable, double powdercoated metal cover with protective enamel.
- Capacity from 20 to 56 liter.
- Integrated 3-D front adjustment by eccentric tappets.



9000 3696



9000 3695



Öko flexliner®

- Possible retrofitting for all pull-out systems.
- Integrated front stabilisation.
- Installation independent of corpus width.
- Overall capacity from 22 up to 84 litres.
- Available for cabinet widths 400, 450, 500, 600, 800 und 900 mm.
- Installation height of 366 or 466 mm at maximum height.



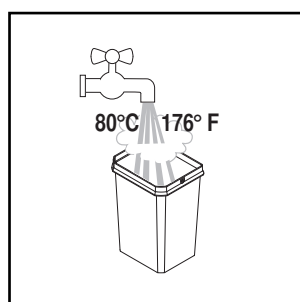
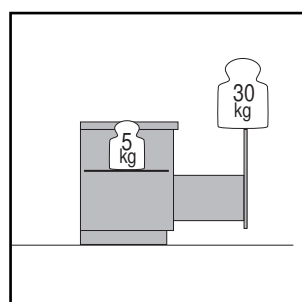
Technical data

Cabinet dimensions

Bin	Width	Depth	Height
10 l bin	225	184	323
16 l bin	176	378	323
22 l bin	225	378	323
21 l bin	176	378	423
28 l bin	225	378	423

Dimensions	1			2		
	Width	Depth	Height	Width	Depth	Height
9000 3689	358	390	42	348	400	205
9000 3690	408	390	42	348	400	205
9000 3691	408	390	42	348	400	205
9000 3692	458	390	42	448	400	205
9000 3693	458	390	42	448	400	205
9000 3694	458	390	42	448	400	205
9000 3695	558	390	42	548	400	205
9000 3696	558	390	42	548	400	205
9000 3697	558	390	42	548	400	205

VS-Art.-No.	Description	Amount
9000 3689	Öko liner K400 including 2 x 10 litre bins for cabinet width 400 mm	1 set
9000 3690	Öko liner K450 including 2 x 16 litre bins for cabinet width 450 mm	1 set
9000 3691	Öko liner K450 Maxi including 2 x 21 litre bins for cabinet width 450 mm	1 set
9000 3692	Öko liner K500B including 1 x 16 litre and 1 x 22 litre bins for cabinet width 500 mm	1 set
9000 3693	Öko liner K500A including 2 x 10 litre and 1 x 16 litre bins for cabinet width 500 mm	1 set
9000 3694	Öko liner K500B Maxi including 1 x 21 litre and 1 x 28 litre bins for cabinet width 500 mm	1 set
9000 3695	Öko liner K600A including 2 x 10 litre and 1 x 22 litre bins for cabinet width 600 mm	1 set
9000 3696	Öko liner K600B including 2 x 22 litre bins for cabinet width 600 mm	1 set
9000 3697	Öko liner K600B Maxi including 2 x 28 litre bins for cabinet width 600 mm	1 set





Wari corner

- The corner cabinet Wari corner is easily accessible due to its user-friendly movement when opened.
- Thanks to the front connection with integrated 3D adjustment and central height alignment, the Wari corner can be fitted perfectly.
- Upon opening, the front baskets automatically swing away leaving free access to the back basket.



Classic baskets chrome



Opal baskets, RAL 9006

patent protected



Saphir baskets, chrome,
right hand installation



Scalea Körbe, Chrom

Premea baskets chrome,
left hand installation

Wari corner

Technical data

Cabinet dimensions

Internal height min. 530 mm

Front	A (min)	B
450	900	min. 411
500	900	min. 461
550	900	min. 561
600	900	min. 511

Load capacity of baskets

Front basket
5 kg

Rear basket
12,5 kg

Basket dimensions			
	Basket width	Basket depth	Basket height
Front basket	450	305	75
Rear basket	430	370	75

VS-Art.-No.	Description		Amount
9000 3298	Pull-out Wari corner left / Opal chrome baskets / RAL 9006	400 front attachment / incl. 1 damper	1 set
9000 3299	Pull-out Wari corner right / Opal chrome baskets / RAL 9006	400 front attachment / incl. 1 damper	1 set
9000 3188	Pull-out Wari corner left / Saphir chrome baskets / RAL 9006	400 front attachment / incl. 1 damper	1 set
9000 3187	Pull-out Wari corner right / Saphir chrome baskets / RAL 9006	400 front attachment / incl. 1 damper	1 set
9000 3300	Pull-out Wari corner left / Premea chrome baskets - white / RAL 9006	400 front attachment / incl. 1 damper	1 set
9000 3301	Pull-out Wari corner right / Premea chrome baskets - white / RAL 9006	400 front attachment / incl. 1 damper	1 set
9000 3304	Pull-out Wari corner left / Scalea chrome baskets - white / RAL 9006	400 front attachment / incl. 1 damper	1 set
9000 3305	Pull-out Wari corner right / Scalea chrome baskets - white / RAL 9006	400 front attachment / incl. 1 damper	1 set
9000 3306	Pull-out Wari corner left / Scalea chrome - glass Satinato baskets / RAL 9006	400 front attachment / incl. 1 damper	1 set
9000 3307	Pull-out Wari corner right / Scalea chrome - glass Satinato baskets / RAL 9006	400 front attachment / incl. 1 damper	1 set
9000 1724	front attachment for framed doors 500 mm	silver RAL 9006	2 pieces
9000 3576	front attachment for framed doors 550 mm	silver RAL 9006	2 pieces
9000 1725	front attachment for framed doors 600 mm	silver RAL 9006	2 pieces

Further variants on request.



Twin corner

- The Twin corner allows an optimal and comfortable use of storage in a corner cabinet.
- A dual movement swings both shelves equally within grasp of the user.
- The railing of the wood shelf is available in chrome or RAL 9006.
- Available for cabinet width 900, 1000 or 1200 mm.



Right hand installation



Technical data

Twin corner

Cabinet dimensions

Internal height min.
500 mm

Load capacity per shelf
20 kg

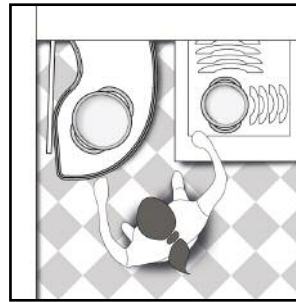
Front	A (min)	B
450	900	min. 411
500	1000	min. 461
600	1000	min. 561

VS-Art.-No.	Description	Amount
9000 2266	Twin corner 450 left / railing RAL 9006 - white shelves U1011 / fitting RAL 9006	1 set with 2 shelves
9000 2267	Twin corner 450 right / railing RAL 9006 - white shelves U1011 / fitting RAL 9006	1 set with 2 shelves
9000 2268	Twin corner 500 left / railing RAL 9006 - white shelves U1011 / fitting RAL 9006	1 set with 2 shelves
9000 2269	Twin corner 500 right / railing RAL 9006 - white shelves U1011 / fitting RAL 9006	1 set with 2 shelves
9000 2270	Twin corner 600 left / railing RAL 9006 - white shelves U1011 / fitting RAL 9006	1 set with 2 shelves
9000 2271	Twin corner 600 right / railing RAL 9006 - white shelves U1011 / fitting RAL 9006	1 set with 2 shelves
9000 2260	Twin corner 450 left / railing chrome - white shelves U1011 / fitting RAL 9006	1 set with 2 shelves
9000 2261	Twin corner 450 right / railing chrome - white shelves U1011 / fitting RAL 9006	1 set with 2 shelves
9000 2262	Twin corner 500 left / railing chrome - white shelves U1011 / fitting RAL 9006	1 set with 2 shelves
9000 2263	Twin corner 500 right / railing chrome - white shelves U1011 / fitting RAL 9006	1 set with 2 shelves
9000 2264	Twin corner 600 left / railing chrome - white shelves U1011 / fitting RAL 9006	1 set with 2 shelves
9000 2265	Twin corner 600 right / railing chrome - white shelves U1011 / fitting RAL 9006	1 set with 2 shelves



Slide corner®

- Maximum use of storage space in the corner cabinet.
- The shelves can be opened separately.
- You have the option of 2, 3 or 4 shelves.
- The upper shelf can be assembled in different heights.
- The adjacent cabinet can also be used without any restriction when the Slide corner is fully opened.



Right hand installation

Slide corner®

Technical data

Cabinet dimensions

Internal height
min 500 mm

16 - 19 mm

A

B

C

max. 70 mm

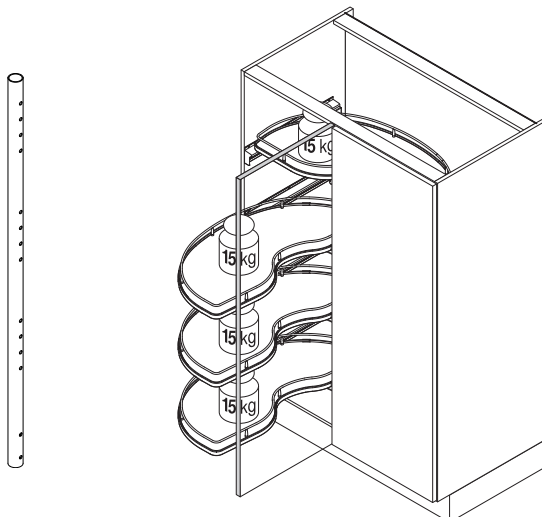
min. 490 mm

max. 25 mm

Load capacity per shelf
15 kg

Front	A (min)	B	C
450	900	450	min. 411
500	1000	500	min. 461
550	1000	550	min. 511
600	1000	600	min. 561

VS-Art.-No.	Description	Amount
9000 3054	Slide corner 450 right / railing chrome - white shelves U1011 / fitting RAL 9006	1 set with 2 shelves
9000 3055	Slide corner 450 left / railing chrome - white shelves U1011 / fitting RAL 9006	1 set with 2 shelves
9000 3021	Slide corner 500 right / railing chrome - white shelves U1011 / fitting RAL 9006	1 set with 2 shelves
9000 3022	Slide corner 500 left / railing chrome - white shelves U1011 / fitting RAL 9006	1 set with 2 shelves
9000 3056	Slide corner 600 right / railing chrome - white shelves U1011 / fitting RAL 9006	1 set with 2 shelves
9000 3057	Slide corner 600 left / railing chrome - white shelves U1011 / fitting RAL 9006	1 set with 2 shelves
9000 3078	Slide corner 450 right / railing RAL 9006 - white shelves U1011 / fitting RAL 9006	1 set with 2 shelves
9000 3079	Slide corner 450 left / railing RAL 9006 - white shelves U1011 / fitting RAL 9006	1 set with 2 shelves
9000 3080	Slide corner 500 right / railing RAL 9006 - white shelves U1011 / fitting RAL 9006	1 set with 2 shelves
9000 3081	Slide corner 500 left / railing RAL 9006 - white shelves U1011 / fitting RAL 9006	1 set with 2 shelves
9000 3082	Slide corner 600 right / railing RAL 9006 - white shelves U1011 / fitting RAL 9006	1 set with 2 shelves
9000 3083	Slide corner 600 left / railing RAL 9006 - white shelves U1011 / fitting RAL 9006	1 set with 2 shelves
9100 1308	Pipe 1209 mm for highboards with 4 shelves / chrome	1 piece





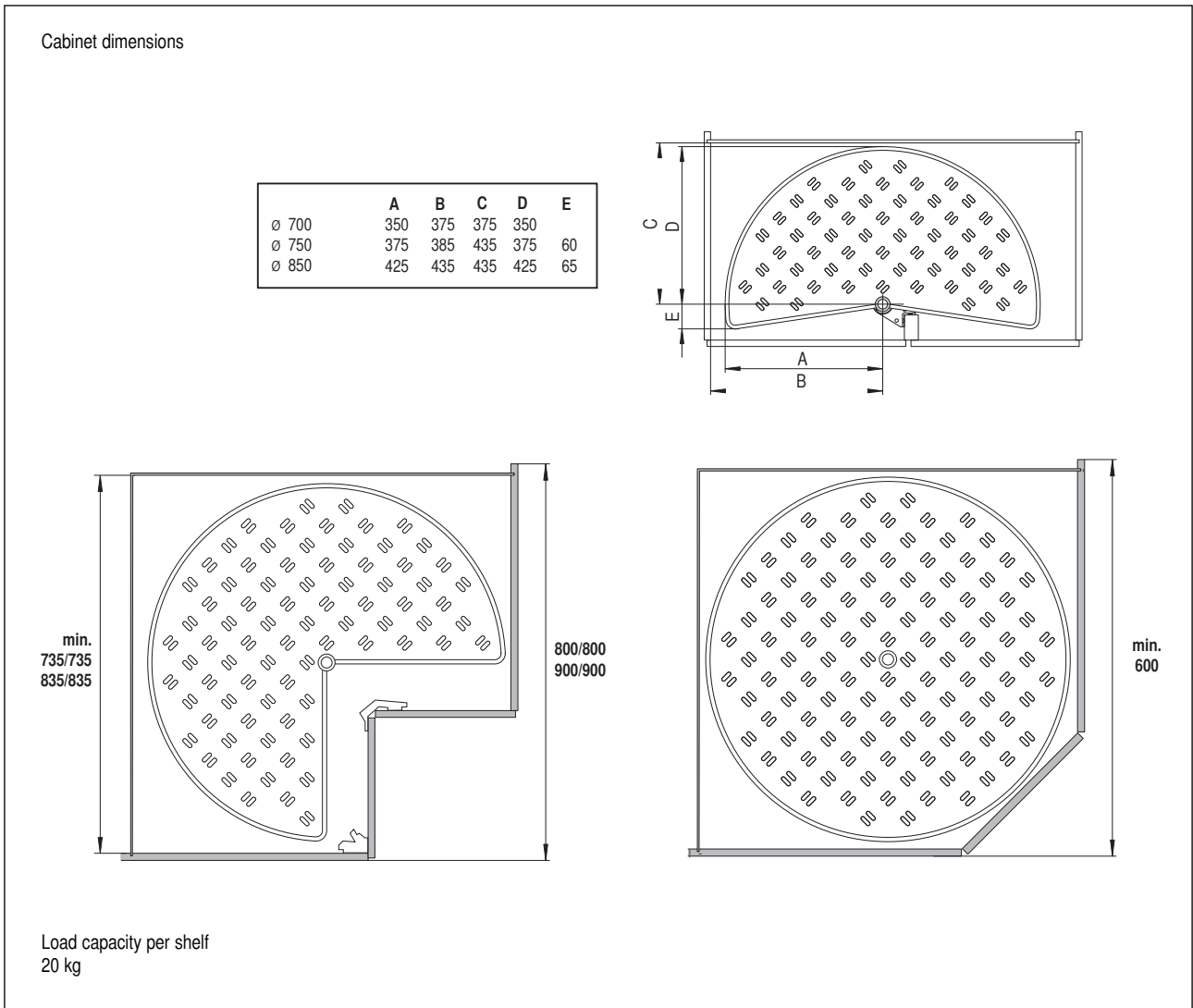
2/4 , 3/4 , 4/4 System Plastic

- The centre of rotation of the base is an aluminium vertical pipe, which is arrested by a clipping pipe fastening.
- The heights of the bases on the pipe can be individually adjusted.
- All racks with plastic bearings and smoothrunning characteristics.
- The bottom tray of the 2/4 system is pulled out automatically when opening the door.



Technical data

2/4, 3/4, 4/4 System



VS-Art.-No.	Roundshelves plastic	Amount
4700 1001	2/4 System diameter 700 mm / RAL 9010	Internal height min. 510 mm 1 set with 2 shelves
4700 1002	2/4 System diameter 750 mm / RAL 9010	Internal height min. 510 mm 1 set with 2 shelves
4700 1003	2/4 System diameter 800 mm / RAL 9010	Internal height min. 510 mm 1 set with 2 shelves
4700 1063	3/4 System diameter 720 mm / RAL 9010	Internal height 680-730 mm 1 set with 2 shelves
4700 1000	3/4 System diameter 820 mm / RAL 9010	Internal height 680-730 mm 1 set with 2 shelves
4700 1005	4/4 System diameter 720 mm / RAL 9010	Internal height 680-730 mm 1 set with 2 shelves
4700 1006	4/4 System diameter 820 mm / RAL 9010	Internal height 680-730 mm 1 set with 2 shelves



2/4, 3/4, 4/4 System Wood



Tower corner

Technical data

2/4, 3/4, 4/4 System

Cabinet dimensions

Höhe min 2/4
510 mm

	A	B	C	D	E
∅ 700	350	375	375	350	
∅ 750	375	385	435	375	60
∅ 850	425	435	435	425	65

min. 735/735
835/835

800/800
900/900

min. 600

Load capacity per shelf
20 kg

VS-Art.-No.	Roundshelves wood	Amount
9000 0621	2/4 System diameter 750 mm / shelf white U1011- railing chrome	Internal height min. 510 mm 1 set with 2 shelves
9000 0622	2/4 System diameter 850 mm / shelf white U1011- railing chrome	Internal height min. 510 mm 1 set with 2 shelves
9000 0623	3/4 System diameter 720 mm / shelf white U1011- railing chrome	Internal height 680-730 mm 1 set with 2 shelves
9000 0624	3/4 System diameter 820 mm / shelf white U1011- railing chrome	Internal height 680-730 mm 1 set with 2 shelves
9000 0658	4/4 System diameter 720 mm / shelf white U1011- railing chrome	Internal height 680-730 mm 1 set with 2 shelves
9000 0657	4/4 System diameter 820 mm / shelf white U1011- railing chrome	Internal height 680-730 mm 1 set with 2 shelves



2/4, 3/4, 4/4 System Wire



2/4 swivelling

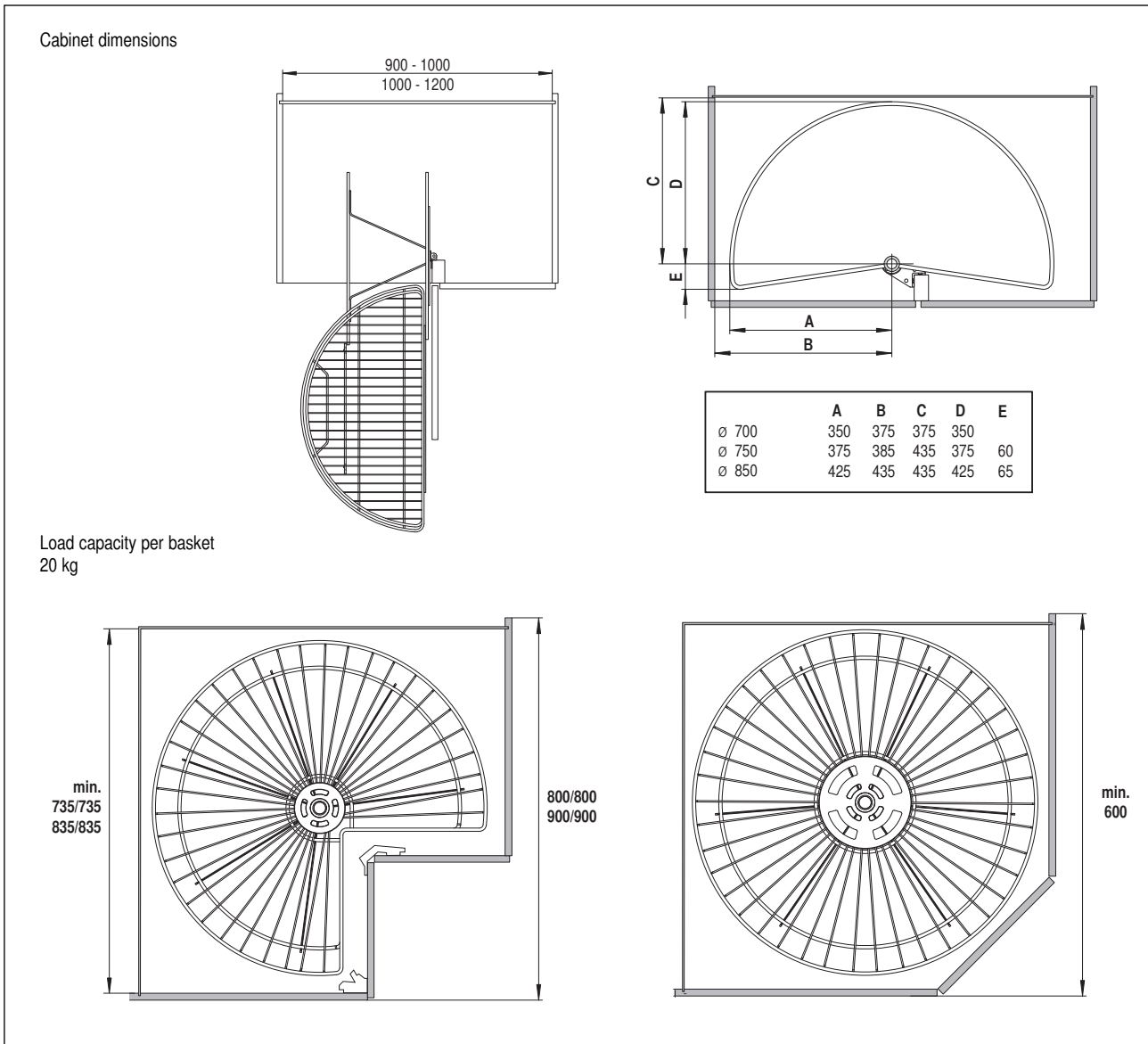


2/4 swivelling and extendable



Technical data

2/4, 3/4, 4/4 System



VS-Art.-No.	Roundshelves wire		Amount
9000 0410	2/4 System diameter 740 mm / chrome baskets	extendable	1 set with 2 baskets
9000 0407	2/4 System diameter 830 mm / chrome baskets	extendable	1 set with 2 baskets
9000 0395	2/4 System diameter 650 mm / chrome baskets	2/4 swivelling	1 set with 2 baskets
9000 0398	2/4 System diameter 700 mm / chrome baskets	2/4 swivelling	1 set with 2 baskets
9000 0400	2/4 System diameter 750 mm / chrome baskets	2/4 swivelling	1 set with 2 baskets
9000 0403	2/4 System diameter 850 mm / chrome baskets	2/4 swivelling	1 set with 2 baskets
9000 0835	3/4 System diameter 720 mm / chrome baskets	Internal height 680-730 mm	1 set with 2 baskets
9000 0837	3/4 System diameter 820 mm / chrome baskets	Internal height 680-730 mm	1 set with 2 baskets
9000 0833	4/4 System diameter 720 mm / chrome baskets	Internal height 680-730 mm	1 set with 2 baskets
9000 0827	4/4 System diameter 820 mm / chrome baskets	Internal height 680-730 mm	1 set with 2 baskets



HSA

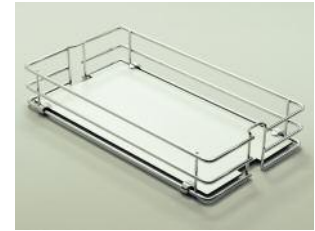
- Mounting of the frame onto the slide without tools.
- Variable frame heights from 650 to 2.350 mm.
- Stabilizing of the front by front strips.
- 3D front adjustment.
- Height-adjustable basket assembly using functional clip; firm grip and low-noise.
- Full pull-out with damping.



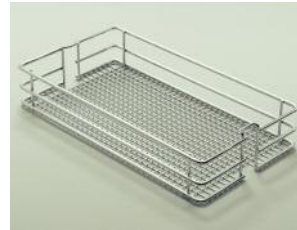
patent protected



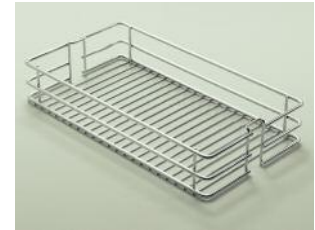
Premea basket



Scalea basket



Saphir basket



Opal basket

Basket dimensions

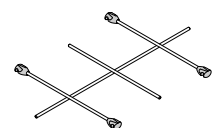
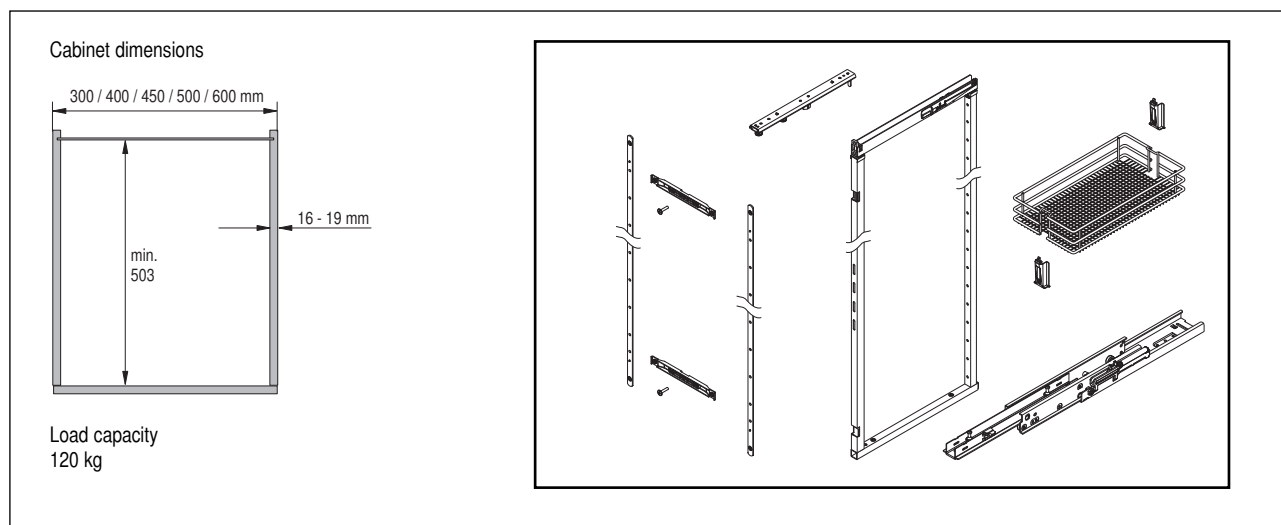
Cabinet	Basket width	Basket depth	Basket height
300 mm	250	460	80
400 mm	350	460	80
450 mm	400	460	80
500 mm	450	460	80
600 mm	550	460	80

VS-Art.-No. Baskets Amount

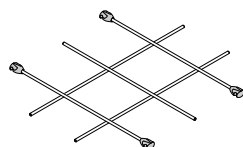
9100 0432	Classic chrome / 250 x 458 / for cabinets 300 mm	1 basket
9100 0436	Classic chrome / 350 x 458 / for cabinets 400 mm	1 basket
9100 1010	Opal chrome / 250 x 458 / for cabinets 300 mm	1 basket
9100 1011	Opal chrome / 350 x 458 / for cabinets 400 mm	1 basket
9100 0928	Opal chrome / 400 x 458 / for cabinets 450 mm	1 basket
9100 0931	Opal chrome / 450 x 458 / for cabinets 500 mm	1 basket
9100 0934	Opal chrome / 550 x 458 / for cabinets 600 mm	1 basket
9100 0454	Saphir chrome / 250 x 458 / for cabinets 300 mm	1 basket
9100 0458	Saphir chrome / 350 x 458 / for cabinets 400 mm	1 basket
9100 0460	Saphir chrome / 400 x 458 / for cabinets 450 mm	1 basket
9100 0463	Saphir chrome / 450 x 458 / for cabinets 500 mm	1 basket
9100 0466	Saphir chrome / 550 x 458 / for cabinets 600 mm	1 basket
9100 1226	Premea U1011 chrome / 250 x 458 / for cabinets 300 mm	1 basket
9100 1227	Premea U1011 chrome / 350 x 458 / for cabinets 400 mm	1 basket
9100 1259	Premea U1011 chrome / 400 x 458 / for cabinets 450 mm	1 basket
9100 1260	Premea U1011 chrome / 450 x 458 / for cabinets 500 mm	1 basket
9100 1261	Premea U1011 chrome / 550 x 458 / for cabinets 600 mm	1 basket
9100 1255	Scalea U1011 chrome / 250 x 458 / for cabinets 300 mm	1 basket
9100 1256	Scalea U1011 chrome / 350 x 458 / for cabinets 400 mm	1 basket
9100 1257	Scalea U1011 chrome / 400 x 458 / for cabinets 450 mm	1 basket
9100 1258	Scalea U1011 chrome / 450 x 458 / for cabinets 500 mm	1 basket

Further absket variants on request.

Technical data



Bottle divider for baskets 250 mm
(Cabinet width 300 mm)



Bottle divider for baskets 350 mm
(Cabinet width 400 mm)

Installation dimensions

Heights:

- HSA 1 650 - 950 mm (2 baskets)
- HSA 2 950 - 1200 mm (3 baskets)
- HSA 3 1200 - 1450 mm (4 baskets)
- HSA 4 1450 - 1700 mm (4 baskets)
- HSA 5 1700 - 1950 mm (5 baskets)
- HSA 6 1900 - 2140 mm (5 baskets)
- HSA 7 2140 - 2330 mm (7 baskets)

VS-Art.-No.	Description	Amount
9000 2076	Pull-out HSA 1 RAL 9006 front strip / front attachment	1 set
9000 2077	Pull-out HSA 2 RAL 9006 front strip / front attachment	1 set
9000 2078	Pull-out HSA 3 RAL 9006 front strip / front attachment	1 set
9000 2079	Pull-out HSA 4 RAL 9006 front strip / front attachment	1 set
9000 2080	Pull-out HSA 5 RAL 9006 front strip / front attachment	1 set
9000 2081	Pull-out HSA 6 RAL 9006 front strip / front attachment	1 set
9000 2082	Pull-out HSA 7 RAL 9006 front strip / front attachment	1 set
9000 2383	Top damper incl. holder	1 set
9000 1278	front attachment 257 RAL 9006 cabinet 300 mm	2 pieces
9000 1244	front attachment 350 RAL 9006 cabinet 400 mm	2 pieces
9000 1246	front attachment 400 RAL 9006 cabinet 450 mm	2 pieces
9000 1248	front attachment 450 RAL 9006 cabinet 500 mm	2 pieces
9000 1250	front attachment 550 RAL 9006 cabinet 600 mm	2 pieces
9000 2617	HSA-bottle divider 250 chrome for 8 bottles	1 piece
9000 2621	HSA-bottle divider 350 chrome for 12 bottles	1 piece
9000 3581	HSA-bottle divider 225 chrome for 8 bottles	1 piece
9000 2616	HSA-bottle divider 250 chrome for 8 bottles	1 piece
9000 2620	HSA-bottle divider 350 chrome for 12 bottles	1 piece
9000 2623	HSA-bottle divider 400 chrome for 12 bottles	1 piece
9000 2763	HSA-bottle divider 450 chrome for 16 bottles	1 piece

Please note:

The cabinet must be securely fastened to the wall to prevent it from tilting. Appropriate fixing material is not supplied with the cabinet.



HSA rotary[®]

- The fully opened and extended cabinet can be turned either to the right or to the left. The user can easily access the optimum section from that position.
- Stabilizing of the front by front strips.
- 3D front adjustment.
- Height adjustable basket assembly using functional clip; firm grip and low-noise.
- Full pull-out with damping.
- Both frame and front attachment are of the same high quality double powder-coated surface.



Scalea baskets with bottle divider



Saphir baskets



Opal baskets



Classic baskets

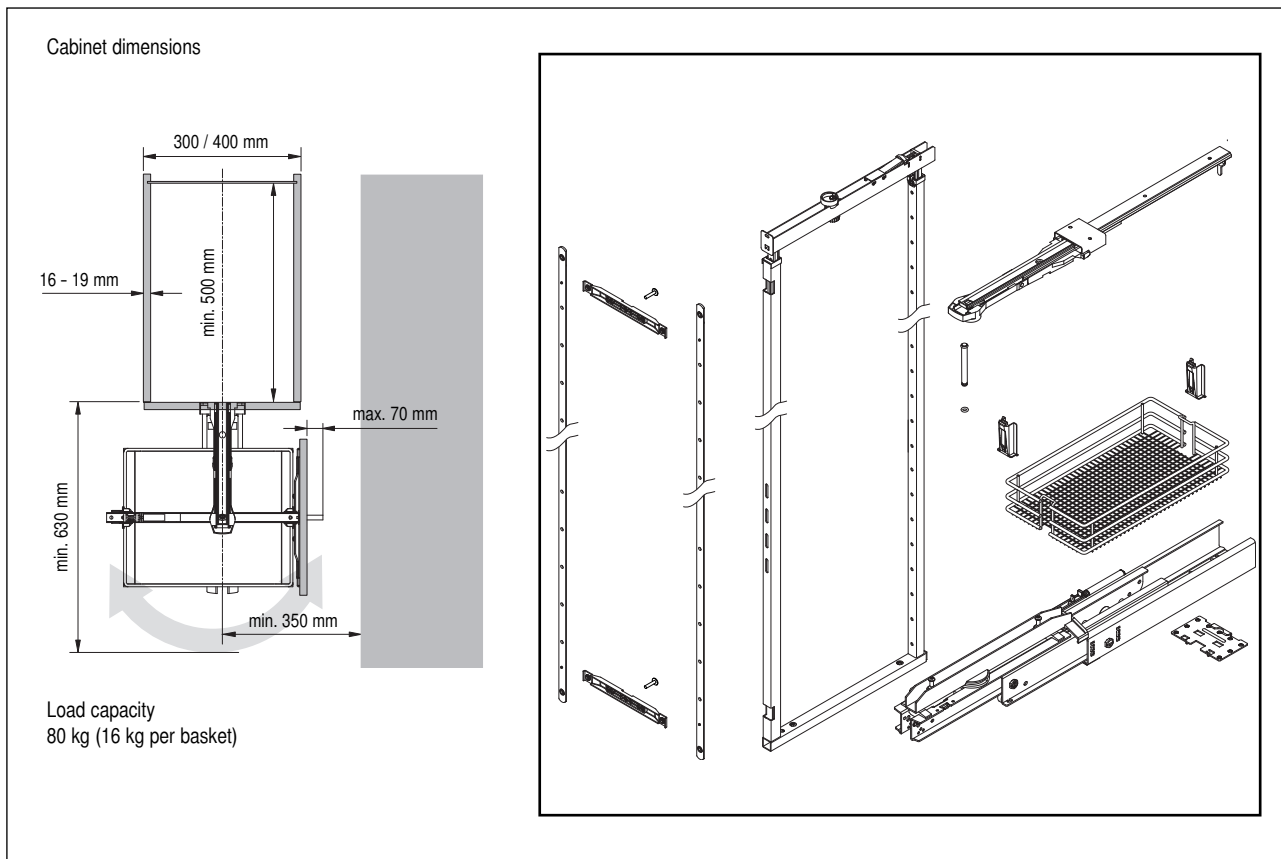


Premea baskets



Technical data

HSA rotary[®]



Load capacity
80 kg (16 kg per basket)

Installation heights

- HSA rotary 3 1290 - 1540 mm (4 baskets)
- HSA rotary 4 1540 - 1790 mm (4 baskets)
- HSA rotary 5 1790 - 2040 mm (5 baskets)
- HSA rotary 6 1990 - 2230 mm (5 baskets)

Basket dimensions

Cabinet	Basket width	Basket depth	Basket height
300 mm	250	430	80
400 mm	350	430	80

VS-Art.-No.	Description	Amount
9000 3049	Pull-out HSA 3 rotary RAL 9006 front strip / front attachment	1 set
9000 3050	Pull-out HSA 4 rotary RAL 9006 front strip / front attachment	1 set
9000 3051	Pull-out HSA 5 rotary RAL 9006 front strip / front attachment	1 set
9000 3013	Pull-out HSA 6 rotary RAL 9006 front strip / front attachment	1 set

Basket variants on request.

Please note:

The cabinet must be securely fastened to the wall to prevent it from tilting. Appropriate fixing material is not supplied with the cabinet.



HSA power move®

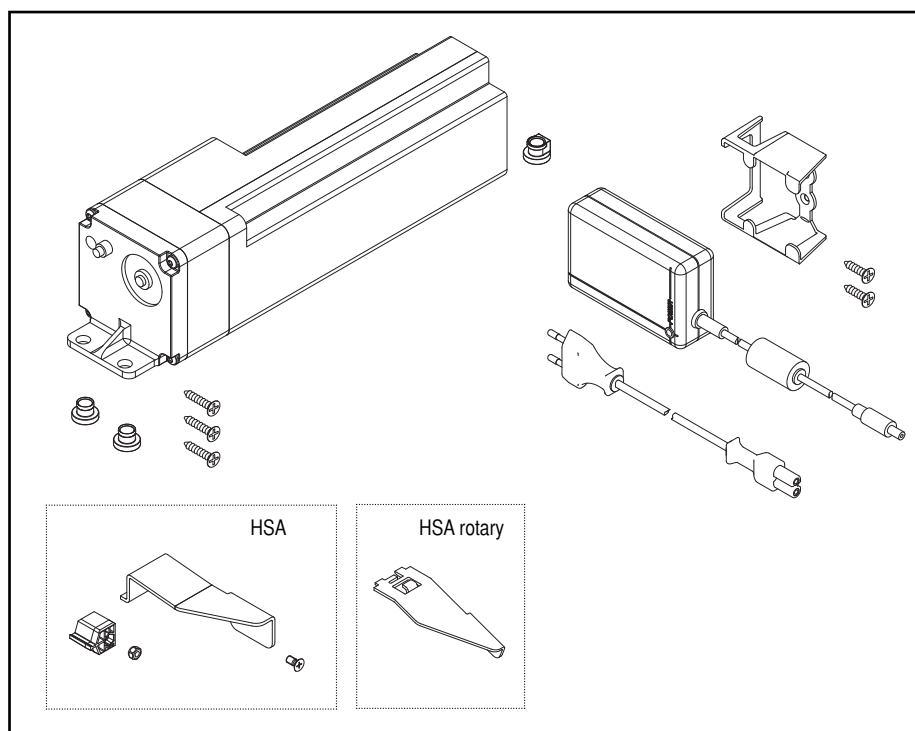
- Super easy opening thanks to electronic motor support: The tall cabinet HSA power move®
- Easy fitting at the existing HSA pull-out.
- Full pull-out with damping.
- Height adjustable basket assembly using functional clip; firm grip and low-noise.
- Stabilizing of the front by front strips.
- Slides with high performance wheels for a total load of 120 kg.



Technical data

HSA power move®

Easy fitting at the existing HSA und HSA rotary



VS-Art.-No.	Description	Amount
9000 3316	HSA power move including all parts	1 set

for HSA and HSA rotary

The heart of the drive:
 Light pulling or pushing of the front causes the electric motor of the HSA power move to initiate the opening movement. The door glides silently open.





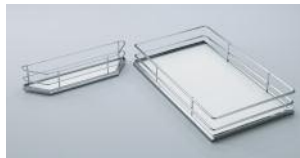
DUSA

- User-friendly handling: The baskets are pulled out of the cabinet at the same time the door is being opened.
- Individually height adjustable baskets in the cabinet as well as on the door. Cabinet and door baskets allow a symmetrical height alignment now.
- No extra weight on the door. The load is transferred to the side of the cabinet.
- Variable frame heights from 650 to 2350 mm.
- Pull-out with damping.

patent protected



Saphir chrome baskets



Premea chrome baskets



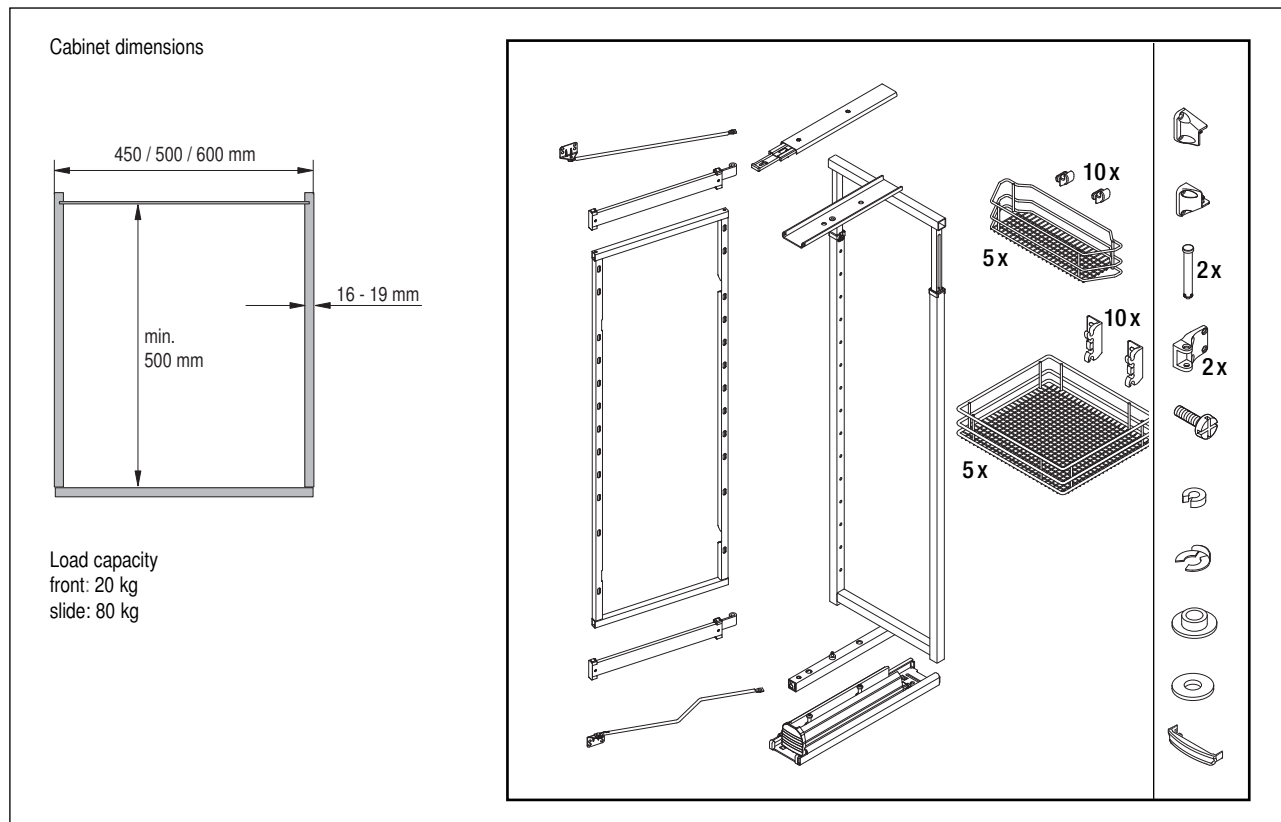
Opal chrome baskets



Scalea chrome baskets



Technical data



Installation dimensions

Heights:

DUSA 3 1200-1450 mm (4 + 4 baskets)
DUSA 4 1450-1700 mm (4 + 4 baskets)
DUSA 5 1700-1950 mm (5 + 5 baskets)
DUSA 6 1900-2150 mm (5 + 5 baskets)
DUSA 7 2150-2350 mm (7 + 7 baskets)

Front basket dimensions

Cabinet	Basket width	Basket depth	Basket height
450/500 mm	365	110	75
600 mm	465	110	75

Basket dimensions

Cabinet	Basket width	Basket depth	Basket height
450 mm	350	305	75
500 mm	400	305	75
600 mm	500	305	75

VS-Art.-No.	Description	Amount
9000 2918	Pull-out DUSA 3 cabinet 450 / RAL 9006	incl. 4 + 4 Saphir chrome baskets 1 set
9000 2919	Pull-out DUSA 3 cabinet 500 / RAL 9006	incl. 4 + 4 Saphir chrome baskets 1 set
9000 2920	Pull-out DUSA 3 cabinet 600 / RAL 9006	incl. 4 + 4 Saphir chrome baskets 1 set
9000 2931	Pull-out DUSA 4 cabinet 450 / RAL 9006	incl. 4 + 4 Saphir chrome baskets 1 set
9000 2932	Pull-out DUSA 4 cabinet 500 / RAL 9006	incl. 4 + 4 Saphir chrome baskets 1 set
9000 2933	Pull-out DUSA 4 cabinet 600 / RAL 9006	incl. 4 + 4 Saphir chrome baskets 1 set
9000 2947	Pull-out DUSA 5 cabinet 450 / RAL 9006	incl. 5 + 5 Saphir chrome baskets 1 set
9000 2949	Pull-out DUSA 5 cabinet 500 / RAL 9006	incl. 5 + 5 Saphir chrome baskets 1 set
9000 2952	Pull-out DUSA 5 cabinet 600 / RAL 9006	incl. 5 + 5 Saphir chrome baskets 1 set
9000 2966	Pull-out DUSA 6 cabinet 450 / RAL 9006	incl. 5 + 5 Saphir chrome baskets 1 set
9000 2968	Pull-out DUSA 6 cabinet 500 / RAL 9006	incl. 5 + 5 Saphir chrome baskets 1 set
9000 2971	Pull-out DUSA 6 cabinet 600 / RAL 9006	incl. 5 + 5 Saphir chrome baskets 1 set
9000 2982	Pull-out DUSA 7 cabinet 450 / RAL 9006	incl. 7 + 7 Saphir chrome baskets 1 set
9000 2983	Pull-out DUSA 7 cabinet 500 / RAL 9006	incl. 7 + 7 Saphir chrome baskets 1 set
9000 2984	Pull-out DUSA 7 cabinet 600 / RAL 9006	incl. 7 + 7 Saphir chrome baskets 1 set

Variants with Opal, Premea or Scalea baskets on request.

Please note:

The cabinet must be securely fastened to the wall to prevent it from tilting. Appropriate fixing material is not supplied with the cabinet.



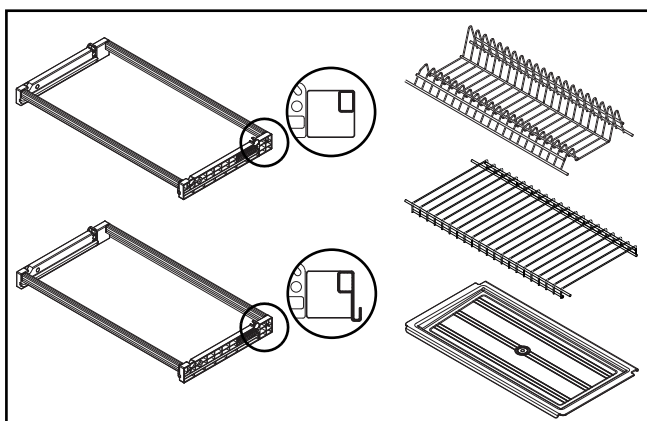
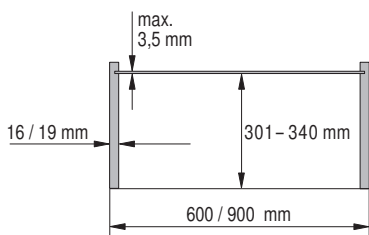
Plate organizer rack

- Because of the sturdy frame, additional storage elements and a drop collector can be attached.
- The flat storage can be used up to the side of the cabinet in its full width.
- The plate organizer rack is firmly fixed in the cabinet. No unintended disarrangement when crockery is taken out.
- The storage devices are available in chrome or RAL 9006.



Integrated fastening of the rear side of the cabinet in the aluminium part. Depth from 300 to 350 mm.

Cabinet dimensions



VS-Art.-No.	Description	Amount
9000 2891	Plate organizer rack for cabinets 600 mm / side panel thickness 16 mm	1 set
9000 2893	Plate organizer rack for cabinets 600 mm / side panel thickness 19 mm	1 set
9000 2892	Plate organizer rack for cabinets 900 mm / side panel thickness 16 mm	1 set
9000 2894	Plate organizer rack for cabinets 900 mm / side panel thickness 19 mm	1 set

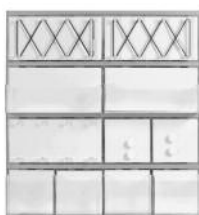
T.O.M. Door.Order.Module.

- T.O.M. creates additional storage space without simultaneously compromising the utilisation of the upper cabinet. The system requires no special cabinet construction, all upper cabinets with door offer potential space for T.O.M.
- The various storage elements can be flexibly inserted into the frame with ease at any time.
- High-quality aluminium frame.
- High-quality glas-like storage elements.
- After insertion of the storage elements, the mounting points are not visible anymore.

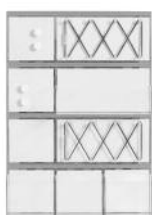
NEW



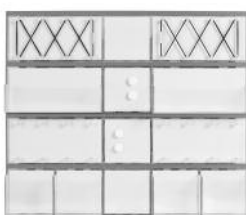
K300



K500 - 550



K400 - 450



K600

Cabinet dimensions

300 / 400 / 450 / 500 / 550 / 600 mm

min. 25 mm

Height min:
480 mm

1 x

C	300	400	450	500	600
	1	2	2	2	2
	1	2	2	3	4
	1	1	1	2	2
	2	3	3	4	4
	2	3	3	2	4
	4	4	4	4	4
	2	4	4	2	2

VS-Art.-No.	Description		Amount
9000 3312	T.O.M. Door order module cabinet 300 mm	216 x 460 x 71 mm	1 set
9000 3313	T.O.M. Door order module cabinet 400/450 mm	319 x 460 x 71 mm	1 set
9000 3314	T.O.M. Door order module cabinet 500/550 mm	422 x 460 x 71 mm	1 set
9000 3315	T.O.M. Door order module cabinet 600 mm	525 x 460 x 71 mm	1 set



OSA | BRS

- Pull-out solutions for wall units in various widths.
- The variant with rotating baskets is suitable for the body width 300 mm.

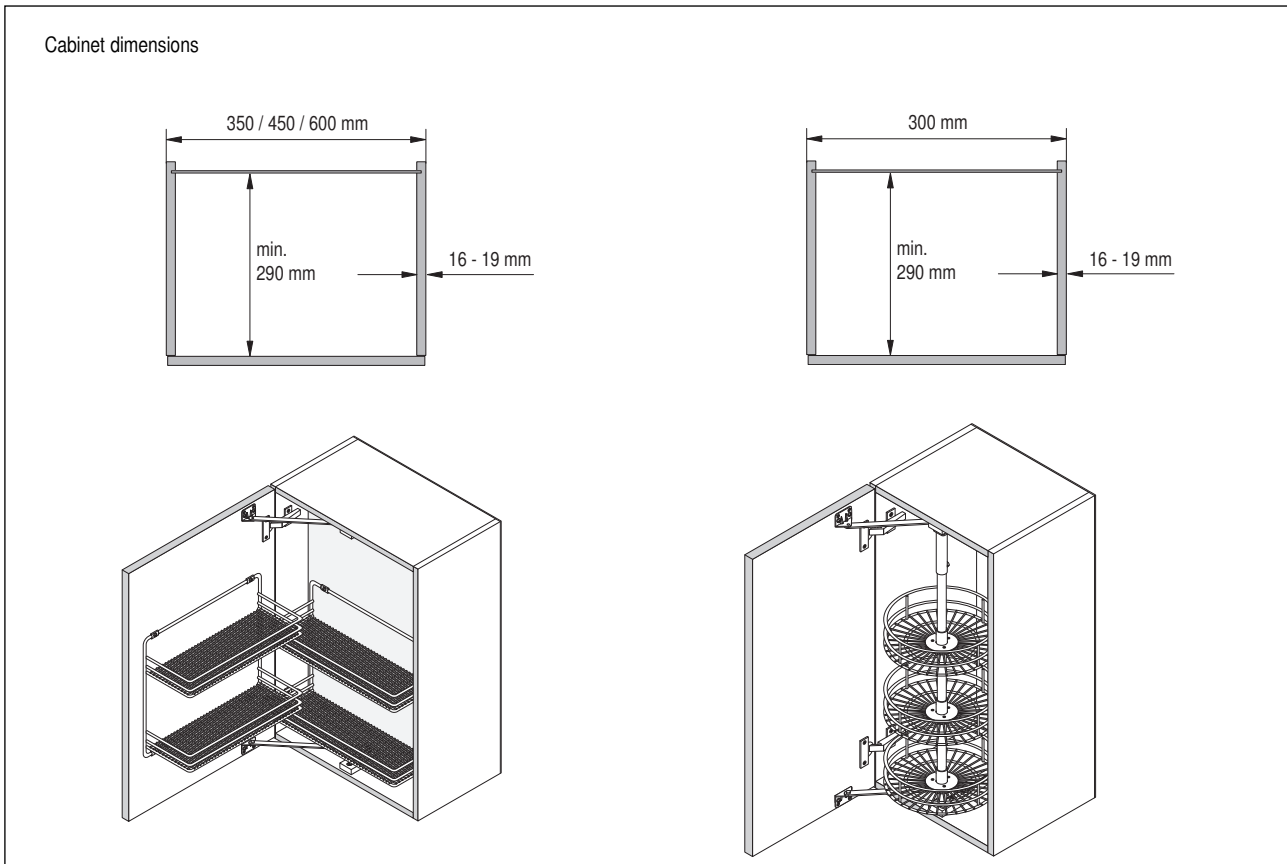
BRS with chrome baskets



OSA with chrome baskets

Technical data

OSA / BRS



Installation measurements:
heights
OSA 1 500 mm - 700 mm (2 racks)
OSA 2 700 mm - 900 mm (3 racks)

Installation measurements:
heights
BRS 1 490 mm - 540 mm
BRS 2 600 mm - 650 mm
BRS 3 750 mm - 800 mm
BRS 4 800 mm - 850 mm
BRS 5 850 mm - 900 mm
BRS 6 900 mm - 950 mm

basket diameter: \varnothing 230 mm
adjustable post \pm 40 mm

VS-Art.-No.	Description		Amount
9000 0122	Pull-out OSA 1 cabinet 350 mm chrome	fitting RAL 9006	1 set
9000 0126	Pull-out OSA 1 cabinet 450 mm chrome	fitting RAL 9006	1 set
9000 0130	Pull-out OSA 1 cabinet 500 mm chrome	fitting RAL 9006	1 set
9000 0132	Pull-out OSA 1 cabinet 600 mm chrome	fitting RAL 9006	1 set
9000 0121	Pull-out OSA 2 cabinet 350 mm chrome	fitting RAL 9006	1 set
9000 0125	Pull-out OSA 2 cabinet 450 mm chrome	fitting RAL 9006	1 set
9000 0131	Pull-out OSA 2 cabinet 500 mm chrome	fitting RAL 9006	1 set
9000 0133	Pull-out OSA 2 cabinet 600 mm chrome	fitting RAL 9006	1 set
9000 0716	Pull-out BRS 1 cabinet 300 mm chrome	fitting RAL 9006	1 set
9000 0127	Pull-out BRS 2 cabinet 300 mm chrome	fitting RAL 9006	1 set
9000 0655	Pull-out BRS 3 cabinet 300 mm chrome	fitting RAL 9006	1 set
9000 0143	Pull-out BRS 4 cabinet 300 mm chrome	fitting RAL 9006	1 set
9000 0129	Pull-out BRS 5 cabinet 300 mm chrome	fitting RAL 9006	1 set
9000 3687	Pull-out BRS 6 cabinet 300 mm chrome	fitting RAL 9006	1 set

Variants with other surfaces on request.



Broom cabinet fittings



9000 1357



9100 0337



9100 0293



9100 0170



9100 0344



47001070



9100 0169



Broom cabinet fittings



9100 0370



9100 0551



9100 0102



9100 0181



9100 0185

VS-Art.-No.	Description		Amount
9100 0530	Basket with handle for 8 bottles / RAL 9006	208 x 455 x 305 mm	1 piece
9100 0551	Basket with handle for 8 bottles / chrome	208 x 455 x 305 mm	1 piece
9100 0360	Basket with handle for 6 bottles / Saphir RAL 9006	210 x 355 x 303 mm	1 piece
9100 0370	Basket with handle for 6 bottles / Saphir chrome	210 x 355 x 303 mm	1 piece
9100 0052	Rod with 5 hooks / RAL 9006	280 x 55 mm	1 piece
9100 0181	Rod with 5 hooks / chrome	280 x 55 mm	1 piece
9100 0183	Rod with 5 hooks / for side wall mounting / RAL 9006	288 x 56 mm	1 piece
9100 0102	Rod with 5 hooks / for side wall mounting / chrome	288 x 56 mm	1 piece
9100 1262	Rod with 5 hooks / for overhead mounting / RAL 9006	288 x 56 mm	1 piece
9100 1356	Rod with 5 hooks / for overhead mounting / chrome	288 x 56 mm	1 piece
9100 0051	Hose holder / RAL 9006	diameter 178	1 piece
9100 0169	Hose holder / chrome	diameter 178	1 piece
9100 0185	Combined hose shelf / Saphir chrome	380 x 90 x 757 mm	1 piece
9100 1175	Combined hose shelf / Saphir RAL 9006	380 x 90 x 757 mm	1 piece
9100 0097	Broom cabinet shelf / RAL 9006	335 x 215 x 859 mm	1 piece
9100 0293	Broom cabinet shelf / chrome	335 x 215 x 859 mm	1 piece
9100 0053	Broom cabinet shelf / Saphir RAL 9006	394 x 175 x 924 mm	1 piece
9100 0184	Broom cabinet shelf / Saphir chrome	394 x 175 x 924 mm	1 piece
9100 0210	Broom cabinet shelf / RAL 9006	271 x 165 x 859 mm	1 piece
9100 0200	Broom cabinet shelf / chrome	271 x 165 x 859 mm	1 piece
9100 0070	Storage basket / RAL 9006	332 x 105 x 100	1 piece
9100 0170	Storage basket / chrome	332 x 105 x 100	1 piece
9100 0337	Wall mounting / RAL 9006	354 x 778	1 piece
9100 0338	Wall mounting / RAL 9006	454 x 778	1 piece
9100 0339	Wall mounting / RAL 9006	554 x 778	1 piece
9100 0343	Basket for wall mounting / RAL 9006	280 x 100 x 100 mm	1 piece
9100 0344	Bottle basket for wall mounting / RAL 9006	280 x 100 x 100 mm	1 piece
4700 1070	Plastic S-hooks / RAL 9006		5 pieces



Spice racks



- Wire tray for flat screen hoods.
- Available for body widths 600 and 900 mm.

- Problem-free fastening to framed doors possible using the adapter strips.
- Door adapter for cabinets 300, 400, 450, 500 and 600 mm.
- Available for 12 or 24 spice jars.

VS-Art.-No.	Description	Amount
9100 0817	Spice rack for 3 x 4 spice jars / 184 x 456,5 x 73 mm / RAL 9006	for adapter
9100 0815	Spice rack for 4 x 6 spice jars / 358 x 456,5 x 73 mm / RAL 9006	for adapter
9100 0504	Spice rack adapter / 4,9 x 236 mm / RAL 9006	for cabinet width 300 mm
9100 0503	Spice rack adapter / 4,9 x 336 mm / RAL 9006	for cabinet width 400 mm
9100 0502	Spice rack adapter / 4,9 x 386 mm / RAL 9006	for cabinet width 450 mm
9100 0501	Spice rack adapter / 4,9 x 436 mm / RAL 9006	for cabinet width 500 mm
9100 0500	Spice rack adapter / 4,9 x 536 mm / RAL 9006	for cabinet width 600 mm
9100 0818	Spice rack for 3 x 4 spice jars / 184 x 456,5 x 73 mm / chrome	for adapter
9100 0816	Spice rack for 4 x 6 spice jars / 358 x 456,5 x 73 mm / chrome	for adapter
9100 0810	Spice rack adapter / 4,9 x 236 mm / chrome	for cabinet width 300 mm
9100 0811	Spice rack adapter / 4,9 x 336 mm / chrome	for cabinet width 400 mm
9100 0812	Spice rack adapter / 4,9 x 386 mm / chrome	for cabinet width 450 mm
9100 0813	Spice rack adapter / 4,9 x 436 mm / chrome	for cabinet width 500 mm
9100 0814	Spice rack adapter / 4,9 x 536 mm / chrome	for cabinet width 600 mm
9100 0809	Wire tray spice rack 563 mm / RAL 9006	for flat screen hoods width 600
9100 0820	Wire tray spice rack 863 mm / RAL 9006	for flat screen hoods width 900
9100 0935	Wire tray spice rack 563 mm / chrome	for flat screen hoods width 600
9100 1063	Wire tray spice rack 863 mm / chrome	for flat screen hoods width 900

Thermal protection strips | Oven-guard for children



VS-Art.-No.	Description		Amount
9100 0896	Thermal protection strips / RAL 9005	left and right strip	1 set
9100 0894	Thermal protection strips / RAL 9006	left and right strip	1 set
9100 0895	Thermal protection strips / RAL 9010	left and right strip	1 set
9000 0985	Oven-guard for children / for cabinet width 600 mm / chrome	work surface between 30 and 40 mm	1 piece
9000 1064	Oven-guard for children / for cabinet width 900 mm / chrome	work surface between 30 and 40 mm	1 piece



basket program



Glass rack Scalea



Wood rack Scalea

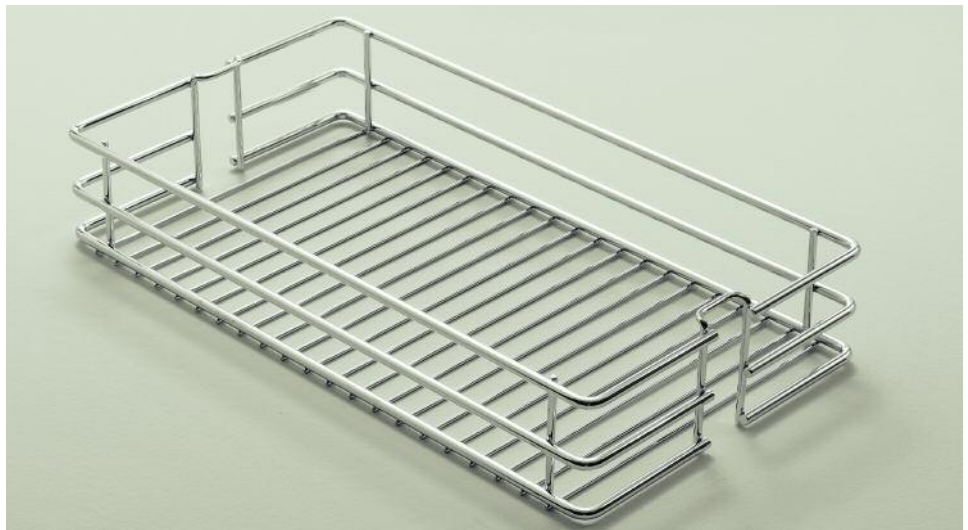


Wood rack Premea

basket program



Saphir



Opal



Classic

VAUTH-SAGEL Systemtechnik: Our components of success

Our products

VAUTH-SAGEL Systemtechnik is expert with long-standing experience in the development and production of parts for the kitchen industry. In a wide range of equipment and surface variants our drawers are at home in a wide range of equipment and surface variants in the best kitchens world-wide.

Our quality

We are strongly committed to our customers' expectations. By producing and assembling all product components ourselves in Germany, we guarantee best quality "Made in Germany".

Our logistics

Our customers expect just-in-time delivery to master their sensitive production processes. It's our strength to develop logistics concepts that are individually designed to acknowledge our customers' wishes – while focusing on the product, schedule and cost.

Our partner concept

VAUTH-SAGEL Systemtechnik works together with competent and dedicated sales partners world-wide, whose market knowledge and services guarantee a high degree of flexibility, swiftness and reliability on the global market.

VAUTH-SAGEL
Systemtechnik GmbH & Co. KG

Address

Neue Straße 27
D-33034 Brakel-Erkeln

Phone
Fax

+49 (0) 5272 601 - 01
+49 (0) 5272 601 - 191

E-mail
Internet

vs@vauth-sagel.de
www.vauth-sagel.de