

2013

Furniture, Cabinet and Display Lighting Systems



Hera[®]
Light Years Ahead.

Index

	Products	Page		Products	Page
About Hera		4			
LED Lighting	General Information	5			
Panel-LED	Panel-LED	6 – 7			
SPS	<i>NEW</i> Shelf Power System	8 – 9			
Linear LED	Stick2-LED	10 – 11			
	<i>NEW</i> Stick2HO-LED	12 – 13			
	<i>NEW</i> StickVE-LED	14 – 15			
	TwinStick2-LED	16 – 17			
	<i>NEW</i> TwinStick2HO-LED	18 – 19			
	SlimLiteXL-LED	20 – 21			
	Tape-LED	22 – 23			
	TapeVE-LED	24 – 25			
	LumiMax-LED	26 – 27			
Spotlights LED	<i>NEW</i> AR78-LED	28 – 29			
	<i>NEW</i> R55-LED	30 – 31			
	<i>NEW</i> R68-LED	32 – 33			
	<i>NEW</i> SR68-LED	34 – 35			
	<i>NEW</i> Big6/2-LED	36 – 37			
	QPad-LED	38 – 39			
	LPad-LED	40 – 41			
	ARF-LED	42 – 43			
	ARFQ-LED	44 – 45			
	KB12-LED/KBS12-LED	46 – 47			
	ER/EQ-LED	48 – 49			
	ER1/ES1-LED	50 – 51			
	Eye-LED	52 – 53			
	HO-LED	54 – 55			
Specialty LED	<i>NEW</i> AKOD-LED	56 – 57			
	<i>NEW</i> Stem-LED	58 – 59			
	Flex-LED	60 – 61			
	FlexVE-LED	62 – 63			
LED Constant Voltage Power Supplies	6 W, 30 W, 75 W Power Supplies	64			
LED Dimmers and Accessories	Dimming Accessories	65 – 66			
	Switching Accessories	67			
LED Constant Current Power Supplies	10 W Power Supply, 350 mA	68			
	Dimmable Power Supply, 18 W	69			
			Fluorescent Lighting	SlimLite XL T5	70 – 71
				<i>NEW</i> SlimLite XL Grounded	72 – 73
				SlimLite T4	74 – 75
				E-Lite2	76 – 77
			Halogen Premium Line	KB12/KBS12	78 – 79
				ARF20/ARFS20	80 – 81
				Arclamp	82 – 83
				Premium Sets	84 – 85
				TriTech	86 – 87
			Halogen Ecoline	ER1/ES1	88 – 89
			Xenon Lighting	XR1/XS1	90 – 91
			Transformers	UC-60FT	92
				UE-E60FT	93
				UK-120TW	94
			Dimmers	ETD1/ ETD1/TP	95
				ERD1	96
			Accessories	Connecting Cable 2NV6	97
				Terminal Block NVK6/4	97
				Halogen, Xenon and LED Bulbs	98
			Applications	Store Fixtures & Displays	99 – 102
				Hospitality	103
				Commercial Healthcare	104 – 106
				Kitchen Cabinets Residential	107 – 110
			Signs and Symbols		111

Hera® – Light Years Ahead.



Hera Lighting L.P., Norcross, GA

Hera – Light Years Ahead.

Hera opened its U.S. headquarters in Atlanta, GA in 1991, and we've rapidly become one of the leading cabinet, furniture and display lighting companies in the United States today. In 2013, we expanded our corporate facility to more than double the office space and to accommodate for more than two times the warehouse space.

We come from a European heritage of innovative lighting design and technology. In fact, we grew out of the very company that developed the first fluorescent lighting for kitchen cabinets in the early 1960's. As manufacturers, we develop our own unique lighting systems that have become extremely popular in a very short time.

Hera's expertise bringing new trends and technology has been evident throughout the decades. As the driving force in lighting technology, Hera's main focus for the past 13 years has been on LEDs. We have been at the forefront of this new technology bringing energy efficient and maintenance free LEDs to market.

All Hera lighting products are unique, stylishly designed and on the leading edge of today's lighting technology. From our innovative LED line to SlimLite Fluorescent, as well as our halogen spotlights, all of our lighting systems exemplify beauty as well as form and function.

At Hera, we're working hard to continue to produce maximum quality lighting systems at reasonable prices. All of our products meet and exceed U.S. safety standards and are UL and/or ETL listed. So, for state-of-the-art lighting systems and accessories that add the perfect accent to any home or business, contact us. One look and you'll understand why – Hera is light years ahead.



Hera GmbH & Co. KG, Enger, Germany

LED-Lighting

The latest lighting technology for your furniture, cabinets and displays

An LED (Light Emitting Diode) is a semiconductor that emits visible light when an electric current passes through.

- Extremely long lamp life of up 50,000 hours
- Lower power consumption
- High efficiency
- They produce virtually no heat
- No infrared or ultraviolet radiation
- LEDs are shatter proof

Hera has been at the forefront of this new technology. Today we proudly offer you a complete line of LED solutions for unlimited applications. Our engineers will continue to develop innovative products incorporating the advantages LEDs have to offer.

Can LEDs provide a consistent light color?

Consumer demand for LED lighting has pushed this technology to a state of becoming highly energy efficient while achieving increasing levels of light output. All manufacturers are constantly pursuing improvements in LED lighting performance. Hera Lighting is at the front of this movement with new and innovative LED luminaires. We strive to provide quality, durability and value with every product. Hera only uses the latest generation of high power LEDs from reputable suppliers such as Luxeon, CREE or Osram.

You may notice color variations of light between LED fixtures. This is normal. All manufacturers have this issue and Hera goes to great lengths to minimize this effect.

The process we use is called Binning. We purchase high quality LEDs from the best diode manufacturers and only accept few select Bin Codes. Because we cannot limit our production to only one Bin Code, we select our Warm White and Cool White Bin Codes with careful consideration to quality. Our Warm White range of Bin Codes is 2800K to 3800K, and the Cool White range is 3900K to 7500K. As we manufacture our LED luminaires, each product will have WW or CW and the Bin Code applied to the fixture and product packaging. We use our best effort to match Bin Codes but we cannot guarantee a perfect match or specific Bin Code availability. In order to minimize the color variation be sure to use the same Bin Code when possible. Keep in mind that within each bin code the Kelvin temperature range can vary from 200K to possibly 700K.

Much effort has been made to ensure you will receive the best color matching that LED technology will allow. If you think your lighting color variation is too great, please check that each fixture belongs to the same bin. If they do not then the color variation may be more noticeable. If you think the light is defective, return the fixture and we will test it. If we find there is a defect or the Kelvin temperature is out of range, we will replace your fixture free of charge.

HO-LED Bin Code markings on box and fixture



Cool-White

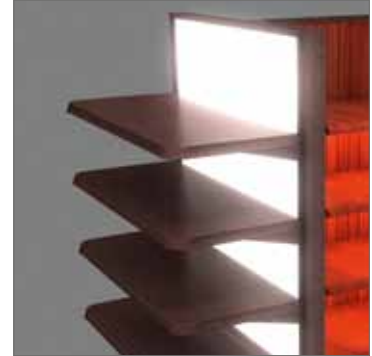
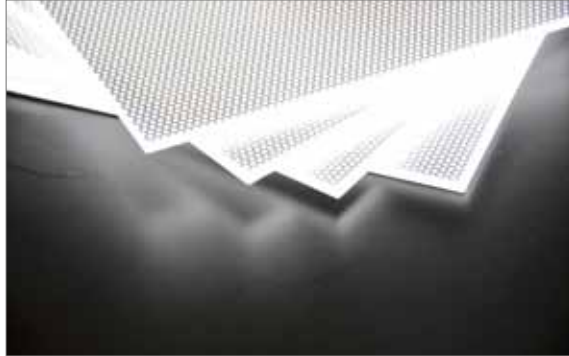


Warm-White

For more information on Hera LEDs and our commitment to the future of energy efficient lighting, please visit: www.heralighting.com/hera/LED.pdf

Panel-LED

NEW

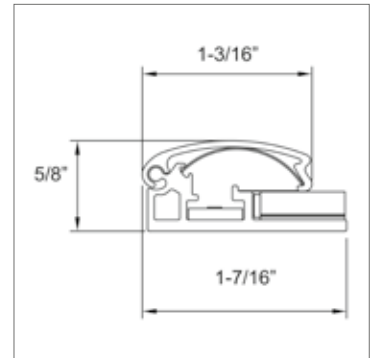


Panel-LED

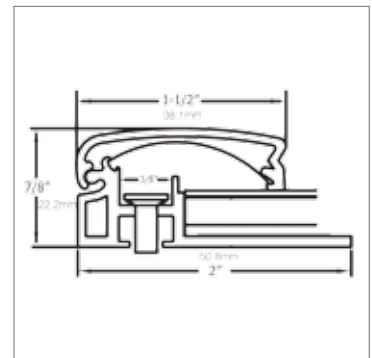
The new Panel-LED is the perfect way to illuminate pictures and displays using the latest in LED technology. Its ultra-slim design may be ordered with a snap frame, which makes installation and changing the picture extremely easy. These panels are energy efficient using between only 7 W to 40 W depending on the size. The Panel-LED is the only panel on the market engineered to have 70 % illumination consistency across the panel, while industry standard is only 60 %.

Product-Features

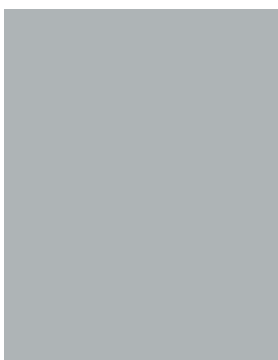
- The panel is super slim. Thickness only $\frac{1}{8}$ " – $\frac{5}{16}$ "
- Available with or without frame
- Standard frame colors: black or silver with custom colors available
- The snap frame is easy to open, therefore the image is easy to install and change
- Mounts portrait or landscape
- LED light sources are used, energy saving & long lifetime of 50,000 Hrs
- Uniform illumination exceeding industry standards
- Optically refined dot pattern technology optimizes the quality of light
- Standard color temperature of 6500K. Special order of 3500K and 5300K available, as well as custom color temperatures
- Special sizes up to 5' x 10' can be made to meet customer's requirements
- Larger sizes can be achieved with Multi Panel Tiling without a visible seam in the panel output
- LED Driver included
- Applicable for retail design, fixtures and displays, signage and interior design



Snap Frame A Profile



Snap Frame B Profile



What You'll Need to Buy:

Standard Sizes – without Frame

Panel Dimension L x W x D	Brightness	Power	Code No.
16" x 20" x 1/4"	2500 Lux	7 W	HLP1620/NF/6500
18" x 24" x 1/4"	2500 Lux	13 W	HLP1824/NF/6500
22" x 28" x 1/4"	2500 Lux	21 W	HLP2228/NF/6500
24" x 24" x 1/4"	2500 Lux	17 W	HLP2424/NF/6500
24" x 36" x 1/4"	2500 Lux	25 W	HLP2436/NF/6500
30" x 30" x 7/16"	2500 Lux	30 W	HLP3030/NF/6500
30" x 40" x 7/16"	2500 Lux	40 W	HLP3040/NF/6500

Standard Sizes – Snap Frame A

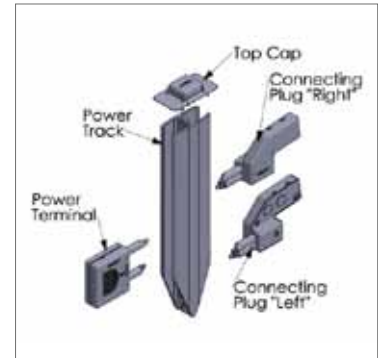
Graphic Size	Visual Area	Frame Size L x W x D	Power	Code No. Silver Frame	Code No. Black Frame
16" x 20"	15" x 19"	17 1/2" x 21 1/2" x 5/8"	7 W	HLP1620/S F/6500/A	HLP1620/BF/6500/A
18" x 24"	17" x 23"	19 1/2" x 25 1/2" x 5/8"	13 W	HLP1824/SF/6500/A	HLP1620/BF/6500/A
22" x 28"	21" x 27"	23 1/2" x 29 1/2" x 5/8"	21 W	HLP2228/SF/6500/A	HLP1620/BF/6500/A
24" x 24"	23" x 23"	25 1/2" x 25 1/2" x 5/8"	17 W	HLP2424/SF/6500/A	HLP1620/BF/6500/A
24" x 36"	23" x 35"	25 1/2" x 37 1/2" x 5/8"	25 W	HLP2436/SF/6500/A	HLP1620/BF/6500/A
30" x 40"	29" x 39"	31 1/2" x 41 1/2" x 5/8"	28 W	HLP3040/SF/6500/A	HLP1620/BF/6500/A

Standard Sizes – Snap Frame B

Graphic Size	Visual Area	Frame Size L x W x D	Power	Code No. Silver Frame	Code No. Black Frame
36" x 48"	34 1/2" x 46 1/2"	37 1/2" x 49 1/2" x 7/8"	78 W	HLP3648/SF/6500/B	HLP3648/BF/6500/B
48" x 72"	46 1/2" x 70 1/2"	49 1/2" x 73 1/2" x 7/8"	117 W	HLP4872/SF/6500/B	HLP4872/BF/6500/B
48" x 96"	46 1/2" x 94 1/2"	49 1/2" x 97 1/2" x 7/8"	156 W	HLP4896/SF/6500/B	HLP4896/BF/6500/B

SPS-Shelf Power System

NEW



The easiest way to integrate lighting into gondola shelving

The new Shelf Power System works with any 24 V LED lighting and allows you to quickly and effortlessly remerchandise and reset shelving displays without altering the lighting in any way. Benefits of this new system are quick shelving changes, flexibility, fast installation, and it is aesthetically pleasing with no visible wires.

Product-Features

- Power Track is designed for Lozier gondolas with other track designs available
- Track available in two lengths: 72" and 96". Different lengths can be achieved by cutting to size
- System consists of several parts, depending on the type of lighting used:
 - Top Cap
 - Power Track
 - Power Terminal
 - LED Driver
 - Connecting Plug "Right"
 - Connecting Plug "Left"
 - Shelf Power Cords
 - Stick2-LED, StickVE-LED, Stick2HO-LED, TwinStick2-LED or TwinStick2HO-LED
 - Magnetic mounting clips

Four Simple Steps



Step One:
Insert Power Track
into gondola



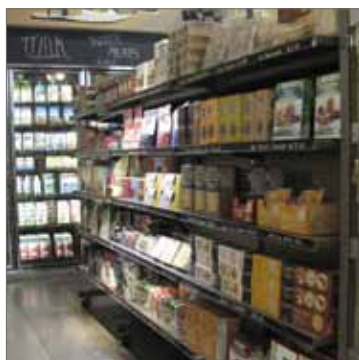
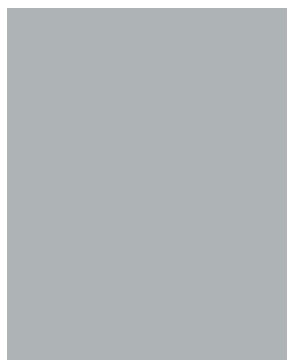
Step Two:
Attach magnetic Power Terminal
onto shelf and insert into gondola



Step Three:
Plug lighting into
Shelf Power Cord



Step Four:
Plug Power Terminal into
gondola and driver into outlet



What you'll need to buy

Light Fixtures

SPS Shelf Power System

Description	Code No.
Power Track 72" w/Top Cap	SPS/TRACK/72
Power Track 96" w/Top Cap	SPS/TRACK/96
Power Terminal w/75 W Driver	SPS/PT/75
Connecting Plug "right"	SPS/PLUG/SH/R
Connecting Plug "left"	SPS/PLUG/SH/L
12" Power Cord for 13" shelf	SPS/STICK2PC/12
17" Power Cord for 18" shelf	SPS/STICK2PC/17
23" Power Cord for 24" shelf	SPS/STICK2PC/23
Magnetic Mounting Clips	STICK2/MC/MAGNET

Lighting Options* (For additional lighting options, see pages 10 – 19)

Warm White

Description	Code No.
8" Stick2-LED	STICK2LED/8/WW
12" Stick2-LED	STICK2LED/12/WW
34" Stick2-LED	STICK2LED/34/WW
46" Stick2-LED	STICK2LED/46/WW
12" Feed-In Stick	STICK2/WPC/WW

Cool White

Description	Code No.
8" Stick2-LED	STICK2LED/8/CW
12" Stick2-LED	STICK2LED/12/CW
34" Stick2-LED	STICK2LED/34/CW
46" Stick2-LED	STICK2LED/46/CW
12" Feed-In Stick	STICK2/WPC/CW

*Can also be used with StickVE-LED, Stick2HO-LED, TwinStick2-LED, TwinStick2HO-LED

Stick2-LED



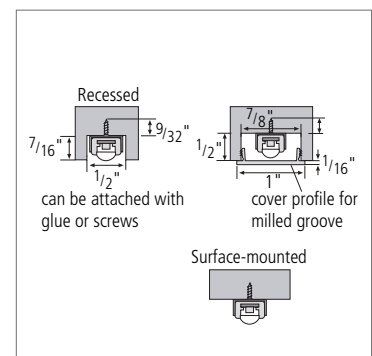
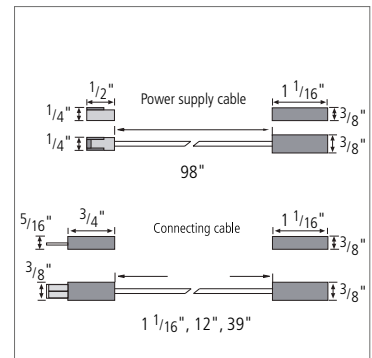
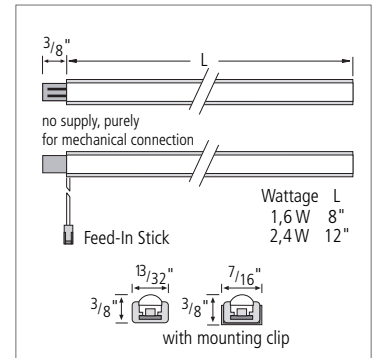
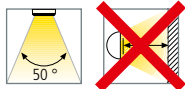
Inline Dimmer Switch

Miniature Linear LED Lighting With Integrated Connecting System

These ultracompact strips of LED lighting feature a very high and even light output and an integrated connecting system. Stick2 LEDs are perfect for furniture, cabinets, displays and inside closets. They are also the ideal lighting solution for cooler and freezer cases.

Product-Features

- Aluminum and plexiglas housing
- Extremely small dimensions: width: $\frac{3}{8}$ " , height: $\frac{5}{16}$ "
- Light fixture can be recessed (flush with board) or surface mounted
- Approved for use in closet applications
- Available in four different sizes: 8" (1.6 W), 12" (2.4 W), 34" (7.2 W) and 46" (9.7 W)
- Available with cool white and warm white LEDs, as well as special color for meat cases
- Extremely high, even light output
- 50,000 hours useable life
- For unlimited runs order one Feed-In Stick for every 8'
- LED connecting cables are available in 1 $\frac{3}{16}$ " , 12" and 39" lengths
- Power supply cable 98" to be ordered separately
- To be used with 24 Vdc LED driver
- Dimmable with optional accessories
- Inline Dimmer Switch with 4 position light level available: 100 % , 50 % , 25 % , off
- Magnetic mounting clips available
- 45 degree mounting clips now available





Feed-In Stick

What you'll need to buy

Light Fixtures

Stick2-LED

Warm White

Length	Code No.
8"	STICK2/8/WW
12"	STICK2/12/WW
34"	STICK2/34/WW
46"	STICK2/46/WW
12" Feed-In Stick	STICK2/WPC/WW

Cool White

Length	Code No.
8"	STICK2/8/CW
12"	STICK2/12/CW
34"	STICK2/34/CW
46"	STICK2/46/CW
12" Feed-In Stick	STICK2/WPC/CW

LED Power Supply (see page 64)

Description	Code No.
Constant Voltage Driver 6 Watt	STICKPS24/06
Constant Voltage Driver 30 Watt	STICKPS24/30
Constant Voltage Driver 75 Watt	STICKPS24/75

Cables and Connectors

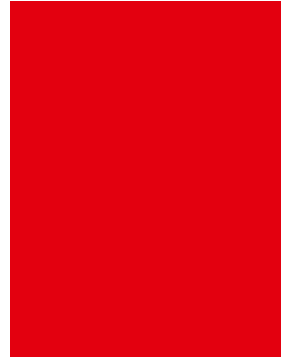
Description	Code No.
Power Cord 98"	STICK2PC
Connecting Cable 1"	STICK2CC1
Connecting Cable 12"	STICK2CC12
Connecting Cable 39"	STICK2CC39
Power Cable Extension 39"	KB12LEDCC39
Power Cable Extension 98"	KB12LEDCC98
Terminal Block	STICKTB

Optional Accessories (see pages 65 – 67)

Description	Code No.
Dimmer	STICKPSDIM
Dimmer Controller	DIMCONTROL
Distributor Cable	STICKDIM/YCABLE
Inline Dimmer Switch	STICK2/SW
Motion-Activated Infrared Switch	IRSWITCH
Remote Control Dimmer	RCPSDIM
Magnetic Mounting Clips	STICK2/MC/MAGNET
Cover Profile	STICK2/CP/39
45 Degree Mounting Clips	STICK2/MC/45
Rocker Switch	SWITCH/PS24

Stick2HO-LED

NEW

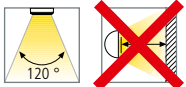
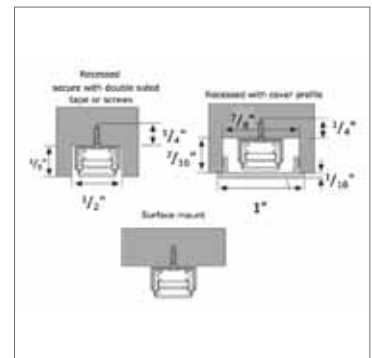
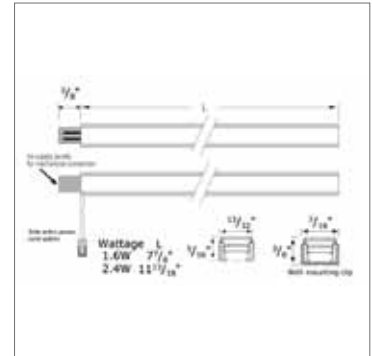


High Output Miniature Linear LED Lighting With Integrated Connecting System

The brand new, high output Stick2HO-LEDs are 50 % brighter than the Stick2-LED and use the same power consumption. The lens has a 120 degree spread and uses the same integrated connecting system as the Stick2-LED. The Stick2HO-LED has a luminous efficacy of 75 lm/W and 180 lm/ft.

Product-Features

- **50 % more light output** than Stick2-LED while using the same amount of energy
- Aluminum and plexiglas housing
- Extremely small dimensions: width: $1\frac{3}{32}$ " , height: $\frac{5}{16}$ "
- Light fixture can be recessed (flush with board) or surface mounted
- Approved for use in closet applications
- Available in four different sizes: 8" (1.6 W), 12" (2.4 W), 34" (7.2 W) and 46" (9.7 W)
- Available with cool white and warm white LEDs
- Extremely high, even light output
- 50,000 hours useable life
- For unlimited runs order one Feed-In Stick for every 8'
- LED connecting cables are available in 1 $\frac{3}{16}$ " , 12" and 39" lengths
- Power supply cable 98" to be ordered separately
- To be used with 24 Vdc LED driver
- Dimmable with optional accessories
- Optional Inline Dimmer Switch with 4 position light level: 100 %, 50 %, 25 %, off
- Magnetic mounting clips available





Feed-In Stick

What you'll need to buy

Light Fixtures

Stick2HO-LED

Warm White

Length	Code No.
8"	STICK2/8/HO/WW
12"	STICK2/12/HO/WW
34"	STICK2/34/HO/WW
46"	STICK2/46/HO/WW
12" Feed-In Stick	STICK2/WPC/HO/WW

Cool White

Length	Code No.
8"	STICK2/8/HO/CW
12"	STICK2/12/HO/CW
34"	STICK2/34/HO/CW
46"	STICK2/46/HO/CW
12" Feed-In Stick	STICK2/WPC/HO/CW

LED Power Supply (see page 64)

Description	Code No.
Constant Voltage Driver 6 Watt	STICKPS24/06
Constant Voltage Driver 30 Watt	STICKPS24/30
Constant Voltage Driver 75 Watt	STICKPS24/75

Cables and Connectors

Description	Code No.
Power Cord 98"	STICK2PC
Connecting Cable 1"	STICK2CC1
Connecting Cable 12"	STICK2CC12
Connecting Cable 39"	STICK2CC39
Power Cable Extension 39"	KB12LEDCC39
Power Cable Extension 98"	KB12LEDCC98
Terminal Block	STICKTB

Optional Accessories (see pages 65 – 67)

Description	Code No.
Dimmer	STICKPSDIM
Dimmer Controller	DIMCONTROL
Distributor Cable	STICKDIM/YCABLE
Inline Dimmer Switch	STICK2/SW
Motion-Activated Infrared Switch	IRSWITCH
Remote Control Dimmer	RCPSDIM
Magnetic Mounting Clips	STICK2/MC/MAGNET
Cover Profile	STICK2/CP/39
Rocker Switch	SWITCH/PS24

StickVE-LED

NEW

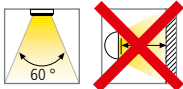


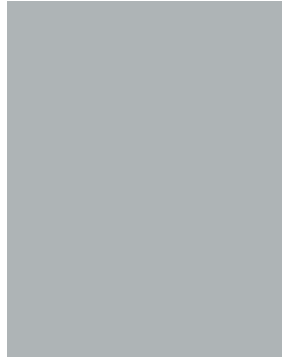
Value Engineered Miniature Linear LED Lighting With Integrated Connecting System

StickVE-LED is a value engineered version of our Stick2-LED. These ultracompact strips of LED lighting have a high and even light output with no dark spots at connecting point. The StickVE-LED has 30 % less light output than our Stick2-LED, but also at a less expensive price.

Product-Features

- Aluminum and plexiglas housing
- Extremely small dimensions: width: $\frac{3}{8}$ " , height: $\frac{5}{16}$ "
- Light fixture can be recessed (flush with board) or surface mounted
- Available in four sizes: 8" (2 W), 12" (3 W), 34"(8 W) and 46" (11 W)
- Available with cool white or warm white LEDs
- Extremely high, even light output
- 30,000 hours useable life
- LED connecting cables are available in 4" and 21"
- 98" Power supply cable to be ordered separately
- To be used with 24 Vdc LED driver
- Dimmable with optional accessories
- Includes 2 Mounting brackets





What you'll need to buy

Light Fixtures

StickVE-LED

Warm White

Length	Code No.
8"	STICKVE/8/WW
12"	STICKVE/12/WW
34"	STICKVE/34/WW
46"	STICKVE/46/WW

Warm White

Length	Code No.
8"	STICKVE/8/CW
12"	STICKVE/12/CW
34"	STICKVE/34/CW
46"	STICKVE/46/CW

LED Power Supply (see page 64)

Description	Code No.
Constant Voltage Driver 6 Watt	STICKPS24/06
Constant Voltage Driver 30 Watt	STICKPS24/30
Constant Voltage Driver 75 Watt	STICKPS24/75

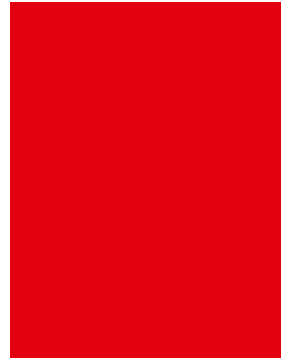
Cables and Connectors

Description	Code No.
Power Cord 98"	STICKVE/PC
Connecting Cable 4"	STICKVE/CC4
Connecting Cable 21"	STICKVE/CC21
Power Cord Extension 39"	KB12LEDCC39
Power Cord Extension 98"	KB12LEDCC98
Terminal Block	STICKTB

Optional Accessories (see pages 65 – 67)

Description	Code No.
Dimmer	STICKPSDIM
Dimmer Controller	DIMCONTROL
Distributor Cable	STICKDIM/YCABLE
Motion-Activated Infrared Switch	IRSWITCH
Remote Control Dimmer	RCPSDIM
Cover Profile	STICK2/CP/39
Rocker Switch	SWITCH/PS24

TwinStick2-LED



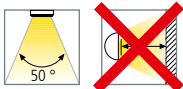
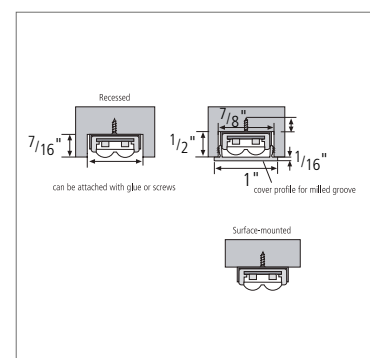
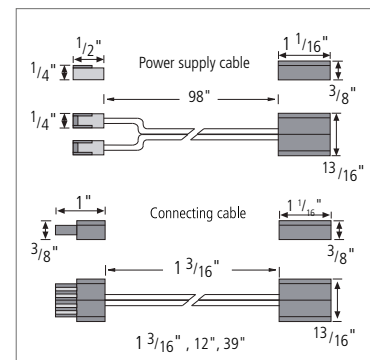
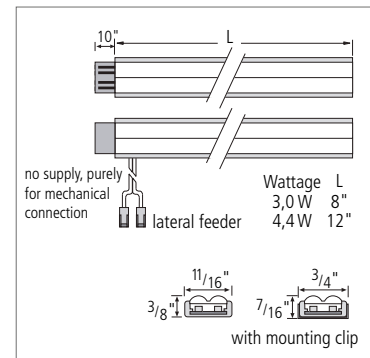
Inline Dimmer Switch

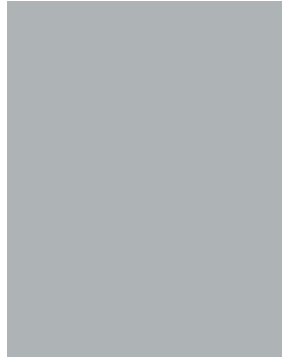
Extremely Compact Linear LED Lighting With Integrated Connecting System

Hera's TwinStick2-LED has an extremely high light output, similar to T5 fluorescent light fixtures, these compact strips are ideal for commercial applications such as store fixtures or displays and even in closet and cabinet applications. Low energy consumption and virtually no maintenance (life time 50,000 hours) are additional benefits. TwinStick2-LEDs feature an integrated connecting system.

Product-Features

- Aluminum and plexiglas housing
- Extremely small dimensions: width: $1\frac{1}{16}$ " , height: $\frac{5}{16}$ "
- Light fixture can be recessed (flush with board) or surface mounted
- Approved for use in closet applications
- Available in two different sizes: 8" (3.0 W) and 12" (4.4 W)
- Available with cool white and warm white LEDs, as well as special color for meat cases
- Extremely high, even light output
- 50,000 hours useable life
- For unlimited runs order one Feed-In Twinstick for every 8'
- LED connecting cables are available in $1\frac{3}{16}$ " , 12" and 39" lengths
- Power supply cable 98" to be ordered separately
- To be used with 24 Vdc LED driver
- Dimmable with optional accessories
- Inline Dimmer Switch with 4 position light level: 100 % , 50 % , 25 % , off





What you'll need to buy

Light Fixtures

TwinStick2-LED

Warm White

Length	Code No.
8"	TWINSTICK2/8/WW
12"	TWINSTICK2/12/WW
12" Feed-In Stick	TWINSTICK2/WPC/WW

Cool White

Length	Code No.
8"	TWINSTICK2/8/CW
12"	TWINSTICK2/12/CW
12" Feed-In Stick	TWINSTICK2/WPC/CW

LED Power Supply (see page 64)

Description	Code No.
Constant Voltage Driver 30 Watt	STICKPS24/30
Constant Voltage Driver 75 Watt	STICKPS24/75

Cables and Connectors

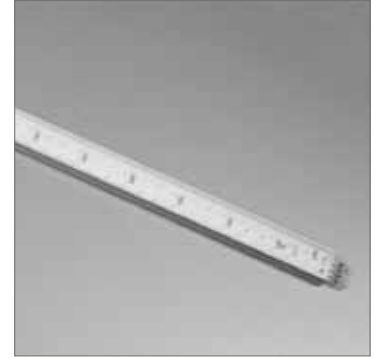
Description	Code No.
Power Cord 98"	TWINSTICK2/PC
Connecting Cable 1"	TWINSTICK2/CC1
Connecting Cable 12"	TWINSTICK2/CC12
Connecting Cable 39"	TWINSTICK2/CC39
Power Cord Extension 39"	KB12LEDCC39
Power Cord Extension 98"	KB12LEDCC98
Terminal Block	STICKTB

Optional Accessories (see pages 65 – 67)

Description	Code No.
Dimmer	STICKPSDIM
Dimmer Controller	DIMCONTROL
Distributor Cable	STICKDIM/YCABLE
Inline Dimmer Switch	TWINSTICK2/SW
Motion-Activated Infrared Switch	IRSWITCH
Remote Control Dimmer	RCPSDIM
Cover Profile	TWINSTICK2/CP/39
Mounting Clip Set	TWINSTICK2/MC/SET
Rocker Switch	SWITCH/PS24

TwinStick2HO-LED

NEW

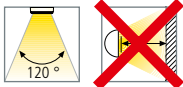
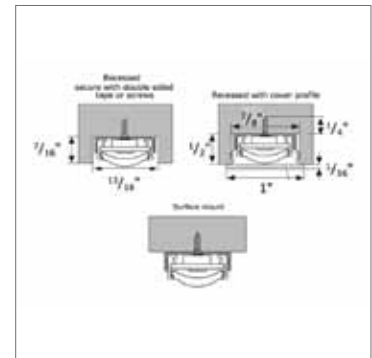
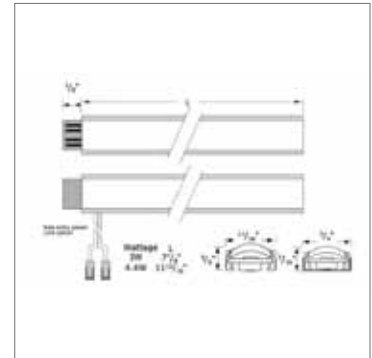


High Output, Extremely Compact Linear LED Lighting With Integrated Connecting System

The brand new, TwinStick2HO-LEDs are 50 % brighter and use the same power consumption as the TwinStick2-LED. With an extremely high light output, these compact strips are ideal for commercial applications such as store fixtures or displays. TwinStick2HO-LEDs feature an integrated connecting system with 75 lm/W and 330 lm/ft.

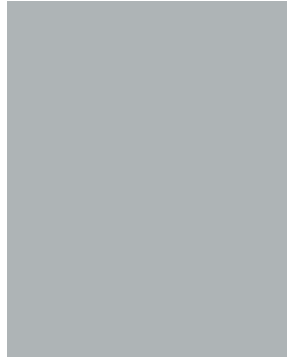
Product-Features

- **50 % more light output** than TwinStick2-LED while using the same amount of energy
- Aluminum and plexiglas housing
- Extremely small dimensions: width: $1\frac{1}{16}$ " , height: $\frac{5}{16}$ "
- Light fixture can be recessed (flush with board) or surface mounted
- Approved for use in closet applications
- Available in two different sizes: 8" (3.0 W) and 12" (4.4 W)
- Available with cool white and warm white LEDs
- Extremely high, even light output
- 50,000 hours useable life
- For unlimited runs order one Feed-In Twinstick for every 8'
- LED connecting cables are available in 1 $\frac{3}{16}$ " , 12" and 39" lengths
- Power supply cable 98" to be ordered separately
- To be used with 24 Vdc LED driver
- Dimmable with optional accessories
- Optional Inline Dimmer Switch with 4 position light level: 100 % , 50 % , 25 % , off





Inline Dimmer Switch



What you'll need to buy

Light Fixtures

TwinStick2HO-LED

Warm White

Length	Code No.
8"	TWINSTICK2/8/HO/WW
12"	TWINSTICK2/12/HO/WW
12" Feed-In Stick	TWINSTICK2/WPC/HO/WW

Cool White

Length	Code No.
8"	TWINSTICK2/8/HO/CW
12"	TWINSTICK2/12/HO/CW
12" Feed-In Stick	TWINSTICK2/WPC/HO/CW

LED Power Supply (see page 64)

Description	Code No.
Constant Voltage Driver 30 Watt	STICKPS24/30
Constant Voltage Driver 75 Watt	STICKPS24/75

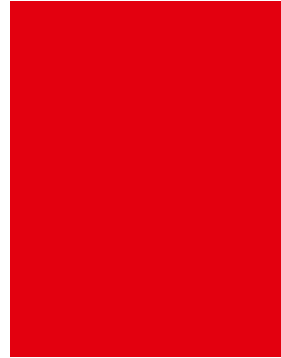
Cables and Connectors

Description	Code No.
Power Cord 98"	TWINSTICK2PC
Connecting Cable 1"	TWINSTICK2CC1
Connecting Cable 12"	TWINSTICK2CC12
Connecting Cable 39"	TWINSTICK2CC39
Power Cord Extension 39"	KB12LEDCC39
Power Cord Extension 98"	KB12LEDCC98
Terminal Block	STICKTB

Optional Accessories (see pages 65 – 67)

Description	Code No.
Dimmer	STICKPSDIM
Dimmer Controller	DIMCONTROL
Distributor Cable	STICKDIM/YCABLE
Inline Dimmer Switch	TWINSTICK2/SW
Motion-Activated Infrared Switch	IRSWITCH
Remote Control Dimmer	RCPSDIM
Cover Profile	TWINSTICK2/CP/39
Rocker Switch	SWITCH/PS24

SlimLite XL-LED

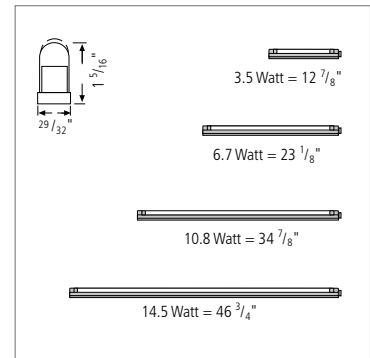


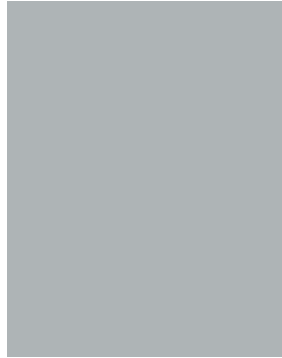
SlimLite XL-LED

Our SlimLiteXL-LED is the easiest way to upgrade from current SlimLite XL fluorescent fixtures to LED. Just unplug the existing fixture, plug in the new one to existing power cords and you are on your way to energy efficient and low maintenance displays. SlimLite XL-LED is also the perfect solution for new installations. With the same light output as our T5 fluorescent, this LED uses only half the energy and offers double the lamp life.

Product-Features

- LED with integrated electronic driver
- Energy Efficient. 1' (3.5 W), 2' (6.7 W), 3' (10.8 W) and 4' (14.5 W)
- Plug-in modular system allows for easy installation and continuous lighting
- Approved for use in closet applications
- Extremely long lamp life, rated 50,000 hours
- Available in cool white or warm white LEDs
- Optional plexiglas cover available (to be ordered separately)
- Good color rendering, CRA > 85





What you'll need to buy

SlimLite XL-LED Light Fixture

Description	Watt	Length	Color	Code No.
ES12LED	3.5	12 ⁷ / ₈ "	Warm White	ES12LED/MW
			Cool White	ES12LED/CW
ES22LED	6.7	23 ¹ / ₈ "	Warm White	ES22LED/MW
			Cool White	ES22LED/CW
ES34LED	10.8	34 ⁷ / ₈ "	Warm White	ES34LED/MW
			Cool White	ES34LED/CW
ES46LED	14.5	46 ³ / ₄ "	Warm White	ES46LED/MW
			Cool White	ES46LED/CW

Includes LED tube

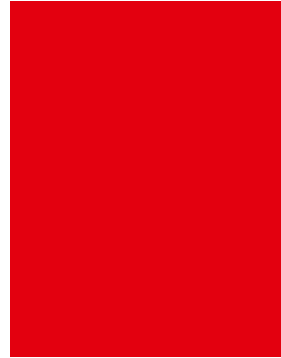
	ES12	ES22	ES34	ES46
fixture length	12 ⁷ / ₈ "	23 ¹ / ₈ "	34 ⁷ / ₈ "	46 ³ / ₄ "
fixture width	²⁹ / ₃₂ "	²⁹ / ₃₂ "	²⁹ / ₃₂ "	²⁹ / ₃₂ "
fixture height with diffuser	1 ⁵ / ₁₆ "	1 ⁵ / ₁₆ "	1 ⁵ / ₁₆ "	1 ⁵ / ₁₆ "
tube length	11 ¹ / ₄ "	21 ¹ / ₂ "	33 ¹ / ₄ "	45 ¹ / ₈ "
tube diameter	⁵ / ₈ "	⁵ / ₈ "	⁵ / ₈ "	⁵ / ₈ "
watts	3,5	6,7	10,8	14,5
lumens	348	661	1044	1392
line current	0,04	0,09	0,13	0,16
CRI	> 85	> 85	> 85	>85
voltage	AC 120	AC 120	AC 120	AC 120
frequency	60 Hz	60 Hz	60 Hz	60 Hz
maximum watts in line	585 watts	585 watts	585 watts	585 watts
power factor	> .95	> .97	> .98	> .98
efficiency (%)	> 70	> 70	> 75	> 75

Accessories

	Description	Code No.
Power Cord*	6' long	SPC/XL
	6' with roller switch	SPC/S/XL
Connecting Cables	6' long	SCC6/XL
	1' long	SCC12/XL
	2' long	SCC24/XL
	4' long	SCC48/XL
	6' long	SCC72/XL
	10' long	SCC120/XL
Direct Connector		SDC/XL
Hardwire Box		SHWC/XL
	with switch	SHWC/S/XL
On/OFF Rocker Switch		SRS/XL
Optional Plexiglas Cover	for ES12LED	SPLEX12
	for ES22LED	SPLEX22
	for ES34LED	SPLEX34
	for ES46LED	SPLEX46

*Note: Power cords and connecting cables are also available with 90° or straight connectors and in various lengths

Tape-LED

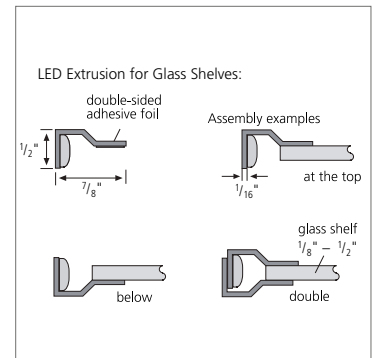
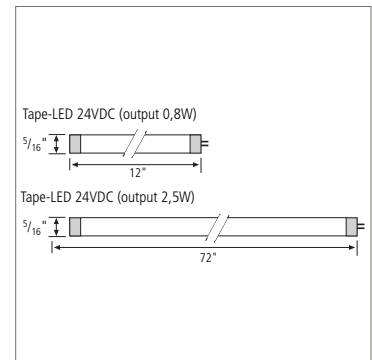


Tape-LED

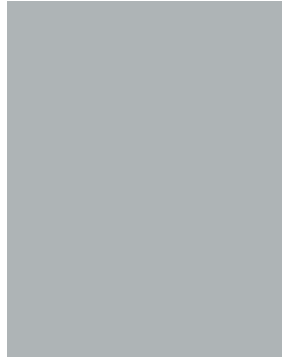
The latest in flexible LED technology. Used as accent lighting for displays, furniture, kitchen cabinets, shelving and even closet applications. Illuminates without heating, ideal for delicate products and artwork. The flexible mounting allows installation in and around most angles.

Product-Features

- Self adhering, flexible LED strip, 0.8 W/ft
- Extremely long life 70mW LED, avg life 30,000 hours
- Approved for use in closet applications
- Available with cool white or warm white LEDs
- Finish: white tape with clear flexible lens
- Maximum 16' interconnected strips per power cable
- Can connect up to:
 - 93' – 75 W driver
 - 37' – 30 W driver
 - 7' – 6 W driver
- Quick and easy installation, can be shortened in 6" increments for custom fit
- Additional LED connecting cables are available in 2" and 20"
- To be used with 24 Vdc LED Driver
- Dimmable with available accessories



No minimum Clearance



What you'll need to buy

Light Fixtures

Tape-LED

Warm White

Length	Code No.
12 "	TAPELED12/WW
72 " *	TAPELED72/WW

Cool White

Length	Code No.
12 "	TAPELED12/CW
72 " *	TAPELED72/CW

LED Power Supply (see page 64)

Description	Code No.
Constant Voltage Driver 6 Watt	STICKPS24/06
Constant Voltage Driver 30 Watt	STICKPS24/30
Constant Voltage Driver 75 Watt	STICKPS24/75

Cables and Connectors

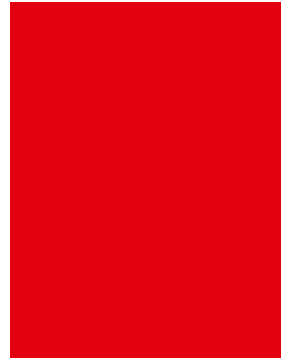
Description	Code No.
Power Cord	TAPEPC
Connecting Cable 2 "	TAPECC2
Connecting Cable 20 "	TAPECC20
Power Cord Extension 39 "	KB12LEDCC39
Power Cord Extension 98 "	KB12LEDCC98
Terminal Block	STICKTB

*Available by special order only.
500 minimum order quantity.

Optional Accessories (see pages 65 – 67)

Description	Code No.
Dimmer	STICKPSDIM
Dimmer Controller	DIMCONTROL
Dimming Distributor Cable	STICKDIM/YCABLE
Low Voltage Switch	IRSWITCH
Remote Control Dimmer	RCPSDIM
Shelf Extrusion*	TAPE/EXT
Rocker Switch	SWITCH/PS24

TapeVE-LED

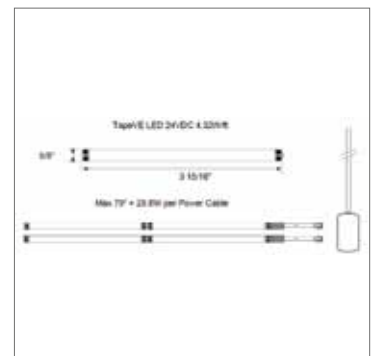
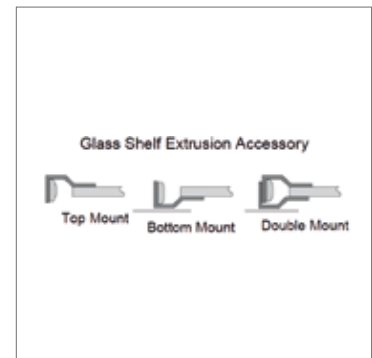
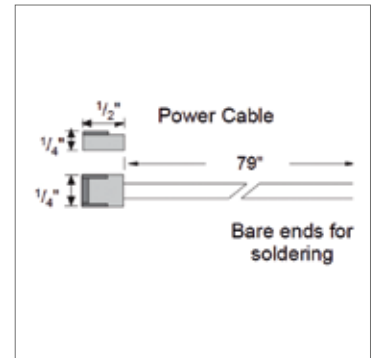


TapeVE-LED

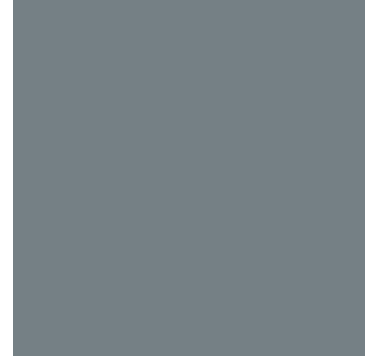
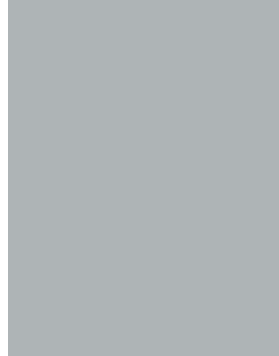
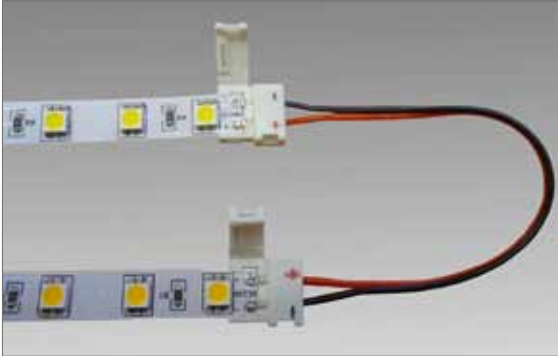
TapeVE-LED has a more cost effective price for larger applications used in accent lighting for retail displays, furniture, cabinets or boats. Illuminates with low heat and no UV which makes it ideal for delicate products and artwork. The solderless quick-connect system allows for easy installation. The flexible mounting allows for positioning in and around most angles.

Product-Features

- Self Adhering, Flexible LED strip, 4.32 W/ft.
- 24 Vdc Constant Voltage LED system
- Extremely long life, rated at 50,000 hours
- Available with Cool White or Warm White LEDs
- Finish: white tape with exposed LEDs; no UV rays
- Can be cut in 3 $1\frac{5}{16}$ " increments. 6 LEDs/1.44 W per section, 4.32 W/ft.
- One full roll per power cable (20 sections)
- Quick and easy installation
- Solderless quick-connect system provides easy installation for various lengths
- Sold in 196" rolls
- 18 LEDs/ft. & 300 LEDs per roll
- Dimmable with optional accessories
- Product size: 196" x $\frac{3}{8}$ "



No minimum Clearance



What you'll need to buy

Light Fixtures

Tape-LED

Warm White

Length	Code No.
196" Roll	TAPEVE-LED/WW

Cool White

Length	Code No.
196" Roll	TAPEVE-LED/CW

LED Power Supply (see page 64)

Description	Code No.
Constant Voltage Driver 30 Watt	STICKPS24/30
Constant Voltage Driver 75 Watt	STICKPS24/75

Cables and Connectors

Description	Code No.
Power Cord	TAPEVE-LED/PC-N
Connecting Cable 6"	TAPEVE-LED/CC6
Power Cord Extension 39"	KB12LEDCC39
Power Cord Extension 98"	KB12LEDCC98
Terminal Block	STICKTB

*Available by special order only.
500 minimum order quantity.

Optional Accessories (see pages 65 – 67)

Description	Code No.
Dimmer	STICKPSDIM
Dimmer Controller	DIMCONTROL
Dimming Distributor Cable	STICKDIM/YCABLE
Low Voltage Switch	IRSWITCH
Remote Control Dimmer	RCPSDIM
Shelf Extrusion*	TAPE/EXT

LumiMax-LED

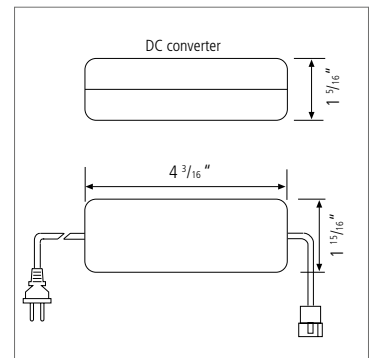
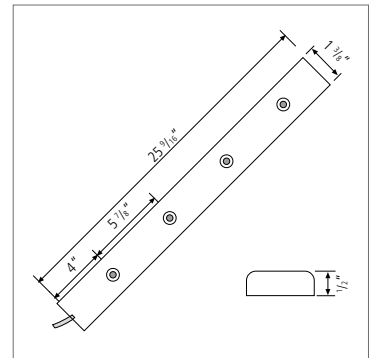


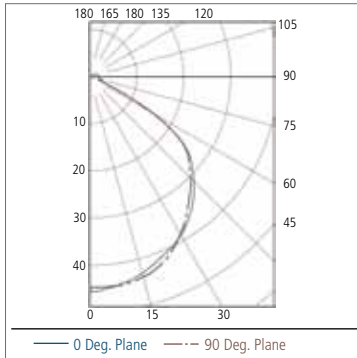
High Output Linear LED Lighting With 3 W Diodes

Hera's LumiMax-LED uses the latest 3 W high output diodes which provide an extremely high and even light output. This linear LED light fixture is available in three different lengths and perfect for installations in showcases, displays or under cabinets.

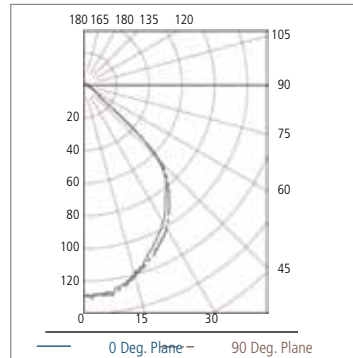
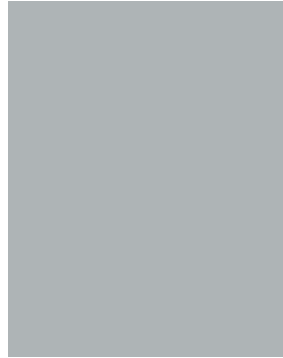
Product-Features

- Very attractive frosted plexiglas housing
- Light fixture can be recessed (flush with board) or surface mounted
- Extremely small dimensions: width: $1 \frac{7}{16}$ " , height: $\frac{1}{2}$ "
- Available in three different sizes: $13 \frac{3}{4}$ " (2 x 3 W LED), $25 \frac{1}{2}$ " (4 x 3 W LED), $37 \frac{7}{16}$ " (6 x 3 W LED)
- Available with cool white and warm white LEDs
- Extremely high, even light output
- One constant current DC converter included per strip





LumiMax13/WW



LumiMax13/CW



What you'll need to buy

Light Fixtures

LumiMax-LED

Warm White

Length	Code No.
13 ¾"	LUMIMAX13/WW
25 ½"	LUMIMAX25/WW
37 7/16"	LUMIMAX37/WW

Cool White

Length	Code No.
13 ¾"	LUMIMAX13
25 ½"	LUMIMAX25
37 7/16"	LUMIMAX37

LED Power Supply

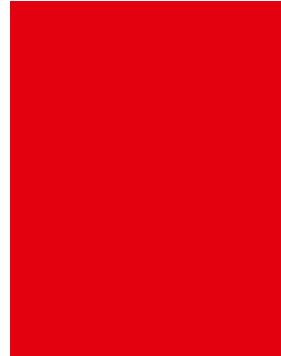
Each LumiMax-LED comes complete with its own constant current driver

Replacement Drivers Available

Code No.
LUMIMAX13/PS
LUMIMAX25/PS
LUMIMAX37/PS

AR78-LED

NEW

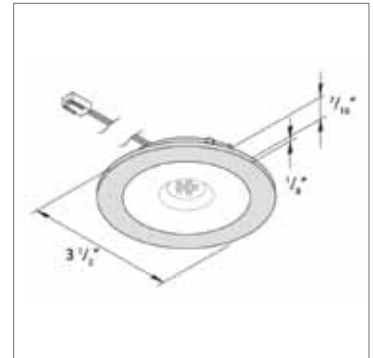


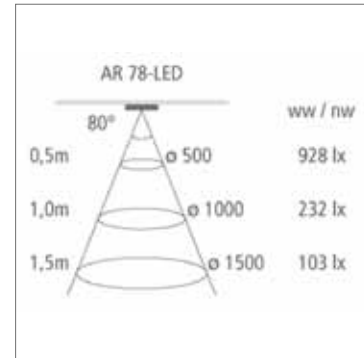
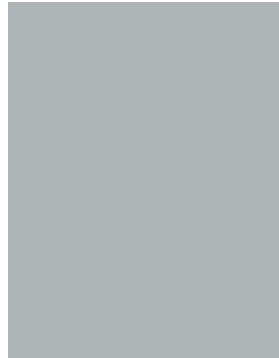
Very Powerful, Recessed LED Spotlight

The AR78-LED is a flat, recessed spotlight with the highest light output in such a small package. It uses the latest in LED technology and has a luminous efficacy of 47 lm/W. The AR78-LED is perfect for mounting in cabinets, displays, furniture and even lightweight design ceilings.

Product-Features

- Energy efficient using only 7.5 W
- Excellent color rendering, CRI > 97
- 50,000 hrs of usable life
- Available with cool white or warm white LEDs
- Flush mounting in 16 mm panels
- Stainless Steel finish
- Suitable for mounting in sheet metal
- To be used with 24 Vdc LED Driver
- Dimmable with available accessories





What you'll need to buy

Spotlights

AR78-LED

Warm White

Finish	Code No.
Stainless Steel	AR78LED/SS/WW

Cool White

Finish	Code No.
Stainless Steel	AR78LED/SS/CW

LED Power Supply

Description	Code No.
Constant Voltage Driver 30W	STICKPS24/30
Constant Voltage Driver 75W	STICKPS24/75

Optional Accessories (see pages 65 – 67)

Description	Code No.
Dimmer	STICKPSDIM
Dimmer Controller	DIMCONTROL
Distributor Cable	STICKDIM/YCABLE
Motion-Activated Infrared Switch	IRSWITCH
Remote Control Dimmer	RCPSDIM
Rocker Switch	SWITCH/PS24

Cables and Connectors

Description	Code No.
Power Cable Extension 39"	KB12LEDCC39
Power Cable Extension 98"	KB12LEDCC98
Terminal Block	STICKTB

R55-LED

NEW

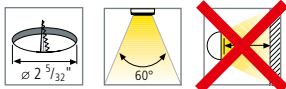
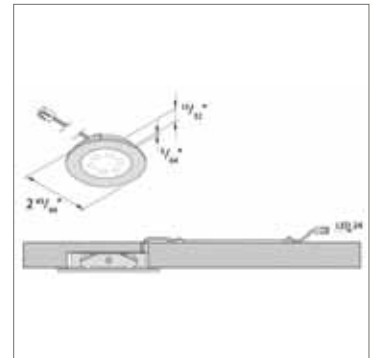


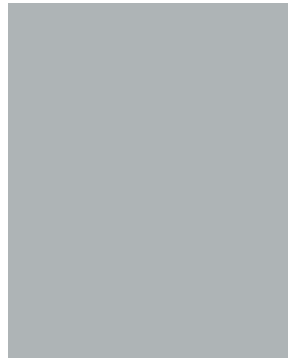
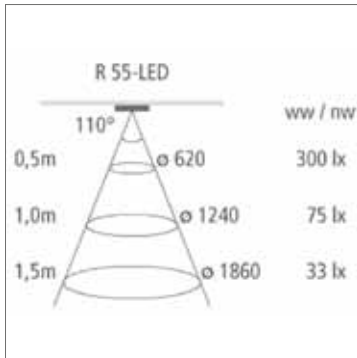
High Quality, Low Profile LED Spotlight

Our brand new R55-LED is the next generation of small LED spotlights and is an improvement for the KB12-LED, using the same mounting hole. The R55-LED is a very small spotlight with a very high light output and has a luminous efficacy of 55 lm/W.

Product-Features

- Energy efficient using only 3 W
- Excellent color rendering, CRI > 80
- 50,000 hrs of usable life
- Available with cool white or warm white LEDs
- Finishes available: Black, White, Stainless Steel
- No UV rays
- Available with surface mount ring
- Suitable for mounting in sheet metal
- To be used with 24 V DC LED Driver
- Dimmable with available accessories





What you'll need to buy

Spotlights

R55-LED

Warm White

Finish	Code No.
White	R55LED/WH/WW
Black	R55LED/BL/WW
Stainless Steel	R55LED/SS/WW

Cool White

Finish	Code No.
White	R55LED/WH/CW
Black	R55LED/BL/CW
Stainless Steel	R55LED/SS/CW

LED Power Supply

Description	Code No.
Constant Voltage Driver 6W	STICKPS24/06
Constant Voltage Driver 30W	STICKPS24/30
Constant Voltage Driver 75W	STICKPS24/75

Optional Accessories (see pages 65 – 67)

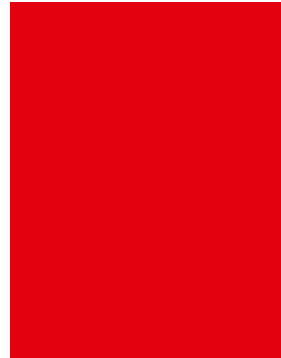
Description	Code No.
Dimmer	STICKPSDIM
Dimmer Controller	DIMCONTROL
Distributor Cable	STICKDIM/YCABLE
Motion-Activated Infrared Switch	IRSWITCH
Remote Control Dimmer	RCPSDIM
Rocker Switch	SWITCH/PS24

Cables and Connectors

Description	Code No.
Power Cable Extension 39"	KB12LEDCC39
Power Cable Extension 98"	KB12LEDCC98
Terminal Block	STICKTB

R68-LED

NEW

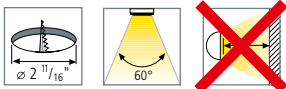
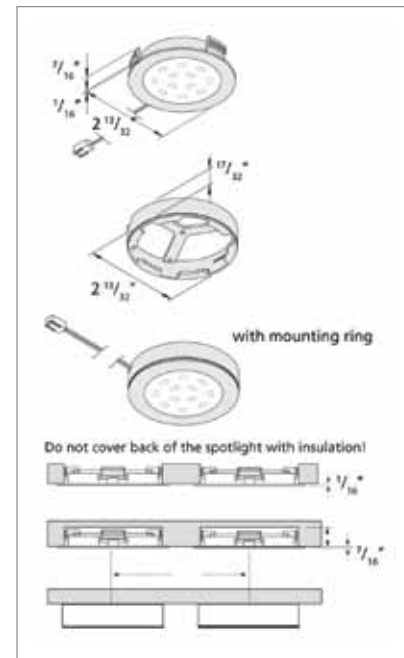


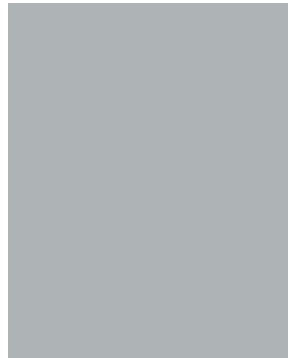
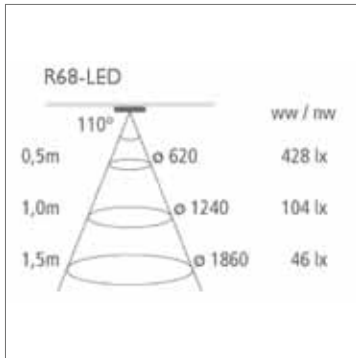
Low Profile, Recessed LED Spotlight With A Very High Light Output

The R68-LED is the perfect replacement and improvement for the ARF-LED. The R68-LED uses the latest developments in LED technology with a higher light output and at a lower price than the ARF-LED. The R68-LED has a luminous efficacy of 55 lm/W.

Product-Features

- Energy efficient using only 4 W
- Excellent color rendering, CRI > 80
- 50,000 hrs of usable life
- Finishes available: Black, White, Stainless Steel
- Available with cool white or warm white LEDs
- Finishes Available: White, Black and Stainless Steel
- To be used with 24 Vdc LED Driver
- Dimmable with available accessories





What you'll need to buy

Spotlights

R68-LED

Warm White

Finish	Code No.
White	R68LED/WH/WW
Black	R68LED/BL/WW
Stainless Steel	R68LED/SS/WW

Cool White

Finish	Code No.
White	R68LED/WH/CW
Black	R68LED/BL/CW
Stainless Steel	R68LED/SS/CW

LED Power Supply

Description	Code No.
Constant Voltage Driver 6W	STICKPS24/06
Constant Voltage Driver 30W	STICKPS24/30
Constant Voltage Driver 75W	STICKPS24/75

Optional Accessories (see pages 65 – 67)

Description	Code No.
Dimmer	STICKPSDIM
Dimmer Controller	DIMCONTROL
Distributor Cable	STICKDIM/YCABLE
Motion-Activated Infrared Switch	IRSWITCH
Remote Control Dimmer	RCPSDIM
Rocker Switch	SWITCH/PS24

Cables and Connectors

Description	Code No.
Power Cable Extension 39"	KB12LEDCC39
Power Cable Extension 98"	KB12LEDCC98
Terminal Block	STICKTB

SR68-LED

NEW

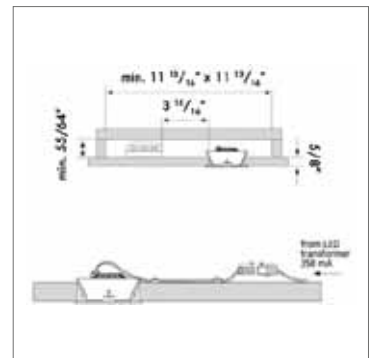
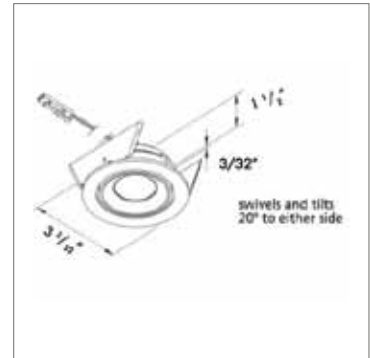


Recessed Swivel LED Spotlight With High Power LEDs

The SR68-LED, Hera's newest addition to its swivel spotlight family is in a class by itself. Designed for applications where high levels of light are desired, this spotlight is perfect for large arrangements where product presentation is crucial. With swivel and tilt capabilities for flexible applications, these spotlights are perfect for creating an attractive and well-balanced display. The SR68-LED has a luminous efficacy of 62.9 lm/W.

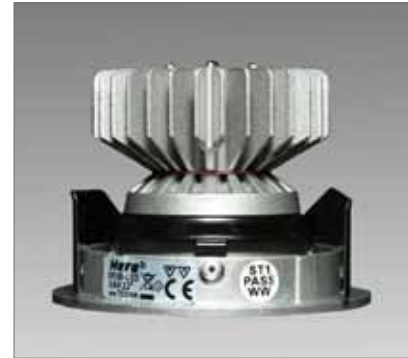
Product-Features

- High quality brushed aluminum housing
- Energy efficient using either 4.8 W or 9.6 W
- Approved for use in closet applications
- 20° swivel and tilt to either side
- Recess depth, either 1 1/2" or 2 13/32"
- Excellent color rendering, CRI > 85
- 50,000 hrs of usable life
- Available with cool white or warm white LEDs
- No UV rays
- SR68-LED to be used with 350 mA driver
- Dimmable with available accessories
- SR68-LED/700 to be used with 700 mA driver available by special order (not dimmable)





350 mA – 4.8W



700 mA – 9.6W

What you'll need to buy

Spotlights

SR68-LED

Warm White

Finish	Code No.
Stainless Steel	SR68/WW
Stainless Steel	SR68/700/WW

Cool White

Finish	Code No.
Stainless Steel	SR68/CW
Stainless Steel	SR68/700/CW

LED Power Supply (for specs refer to pages 65, 68 – 69)

Description	Code No.
Constant Current Driver 10 W	PSLED/10
Constant Current Driver 10 W, 700 mA	PSLED/700/10
Dimmable 350 mA Driver 18W	PSLED/DIM
LED Dimmer Controller	DIMCONTROL

Big6/2-LED

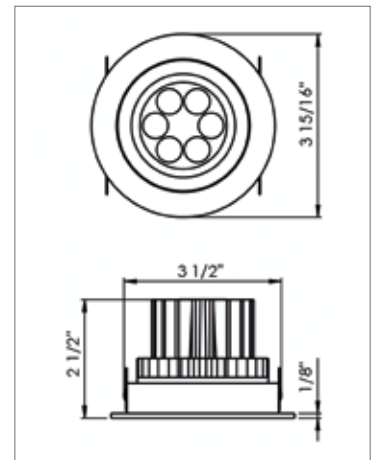
NEW



Recessed Swivel LED Spotlight With High Power LEDs

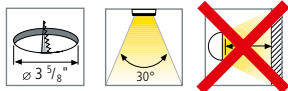
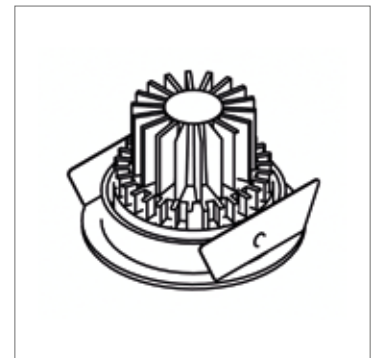
The Big6/2 is a new and improved version of our popular Big6-LED. It was especially developed for applications where high light levels of light are necessary or desired. The integrated high-power LEDs provide an extremely high light output using only 7.2 W. The Big6/2-LED is perfect for larger display cases and even for installation in soffits.

- New and Improved:**
- Smaller Mounting Hole Diameter
 - Improved Swivel
 - Higher Power, 7.2 W
 - Dimmable using PSLED/Dim
 - Reduced Glare Factor



Product-Features

- 360 degree swivel
- Recess depth 3"
- Energy Efficient, uses only 7.2 W
- Available with cool white or warm white LEDs
- Stainless steel or white finish available
- Attached 79" connecting cable with plug in connector
- To be used with 350 mA constant current DC converter
- Dimmable using the PSLED/DIM





What you'll need to buy

Spotlights

Big6/2-LED

Warm White

Finish	Code No.
Stainless Steel	BIG6/2/SS/WW
White	BIG6/2/WH/WW

Cool White

Finish	Code No.
Stainless Steel	BIG6/2/SS/CW
White	BIG6/2/WH/CW

LED Power Supply (for specs refer to pages 65, 68 – 69)

Description	Code No.
Constant Current Driver 10 W	PSLED/10
Dimmable Constant Current Driver 18 W	PSLED/DIM
LED Dimmer Controller	DIMCONTROL

Cables

Description	Code No.
Connecting Cable 36"	LEDCC36
Connecting Cable 72"	LEDCC72

QPad-LED

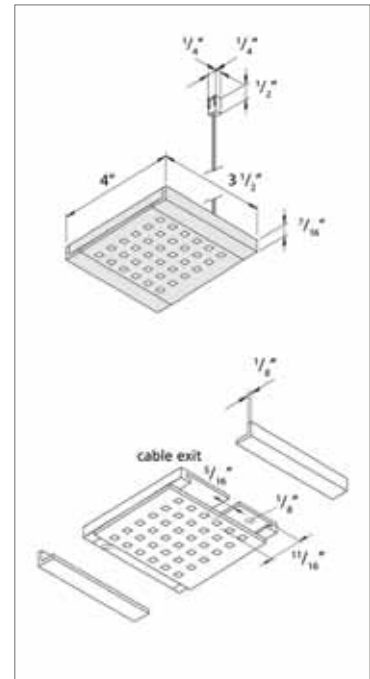


Low Profile Surface-Mounted LED Spotlight

Our highly designed QPad-LED is an energy-saving surface mounted spotlight with an extremely high light output. Its ultra-sleek, contemporary design makes it the perfect choice for retail displays, under cabinets, inside closets and in bathrooms. The unique modern design of the QPad-LED attributed to winning the Red Dot Design award.

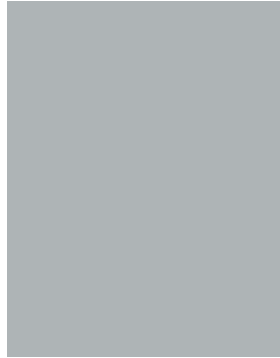
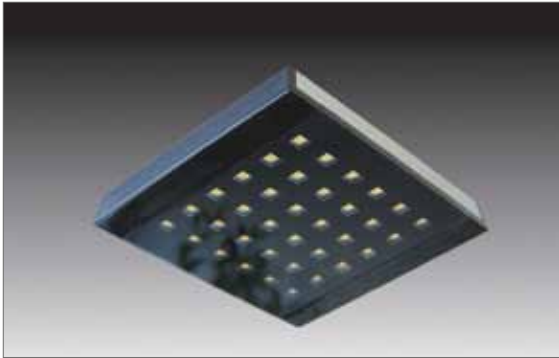
Product-Features

- Energy Efficient: 7.5 W
- Extremely long lamp life, rated 50,000 hours
- Approved for use in closet applications
- Available in cool white or warm white LEDs
- Finishes available: Stainless Steel, Black, White
- Good color rendering, CRI > 90
- To be used with 24 Vdc LED driver
- Dimmable with optional accessories
- Good efficacy: WW = 60 lm/w and CW = 65 lm/w
- Low profile, only $\frac{7}{16}$ "
- Minimum Drilling Required
- Can connect up to:
 - 10 fixtures – 75 W driver
 - 4 fixtures – 30 W driver



reddot design award
winner 2010





What you'll need to buy

Light Fixtures

QPad-LED

Warm White

Finish	Code No.
White	QPADLEDWH/WW
Black	QPADLEDBL/WW
Stainless Steel	QPADLEDSS/WW

Cool White

Finish	Code No.
White	QPADLEDWH/CW
Black	QPADLEDBL/CW
Stainless Steel	QPADLEDSS/CW

LED Power Supply (see page 64)

Description	Code No.
Constant Voltage Driver 30 Watt	STICKPS24/30
Constant Voltage Driver 75 Watt	STICKPS24/75
Power Cable Extension 39"	KB12LEDCC39
Power Cable Extension 98"	KB12LEDCC98

Optional Accessories (see pages 65 – 67)

Description	Code No.
Dimmer	STICKPSDIM
Dimmer Controller	DIMCONTROL
Distributor Cable	STICKDIM/YCABLE
Motion-Activated Infrared Switch	IRSWITCH
Remote Control Dimmer	RCPSDIM
Terminal Block	STICKTB
Rocker Switch	SWITCH/PS24

LPad-LED



Low Profile Surface-Mounted LED Spotlight

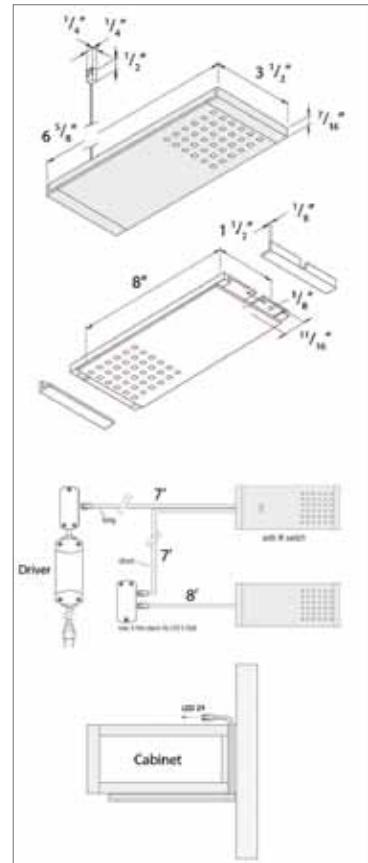
Pure & elegant design combined with sophisticated materials and brilliant color finishes makes this LED spotlight an incomparable eyecatcher. An optional touchless IR switch operates the spotlight and the integrated Hera Nightlight-System guides your way through the dark night. The unique modern design of the LPad-LED attributed to winning the Red Dot Design award.

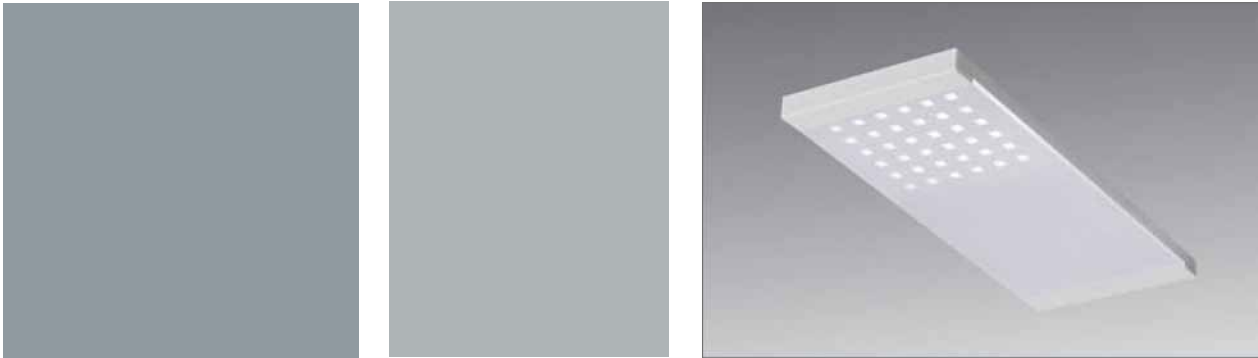
Product-Features

- Energy Efficient: Only 7.5 W
- Extremely long lamp life, rated 50,000 hours
- Approved for use in closet applications
- Available in cool white or warm white LEDs
- Finishes available: Stainless Steel, Black, White
- Good color rendering, CRI > 90
- To be used with 24 Vdc LED driver
- Dimmable with optional accessories
- Available with integrated IR Switch



reddot design award
winner 2010





What you'll need to buy

Light Fixtures

LPad-LED

Warm White

Finish	Code No.
White	LPADLEDWH/WW
Black	LPADLEDBL/WW
Stainless Steel	LPADLEDSS/WW

Warm White w/IR Switch

Finish	Code No.
White	LPADLEDWH/S/WW
Black	LPADLEDBL/S/WW
Stainless Steel	LPADLEDSS/S/WW

LED Power Supply (see page 64)

Description	Code No.
Constant Voltage Driver 30W	STICKPS24/30
Constant Voltage Driver 75 W	STICKPS24/75
Power Cable Extension 39"	KB 12LEDCC39
Power Cable Extension 98"	KB 12LEDCC98

Cool White

Finish	Code No.
White	LPADLEDWH/CW
Black	LPADLEDBL/CW
Stainless Steel	LPADLEDSS/CW

Cool White w/IR Switch

Finish	Code No.
White	LPADLEDWH/S/CW
Black	LPADLEDBL/S/CW
Stainless Steel	LPADLEDSS/S/CW

Optional Accessories (see pages 65 – 67)

Description	Code No.
Dimmer	STICKPSDIM
Dimmer Controller	DIMCONTROL
Distributor Cable	STICKDIM/YCABLE
Motion-Activated Infrared Switch	IRSWITCH
Remote Control Dimmer	RCPSDIM
Terminal Block	STICKTB
Rocker Switch	SWITCH/PS24

ARF-LED

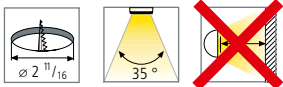
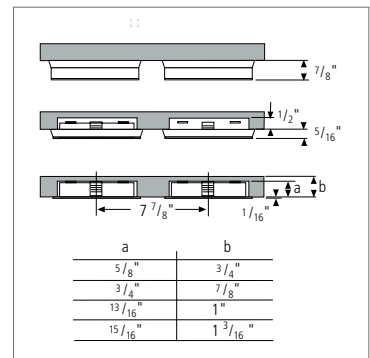
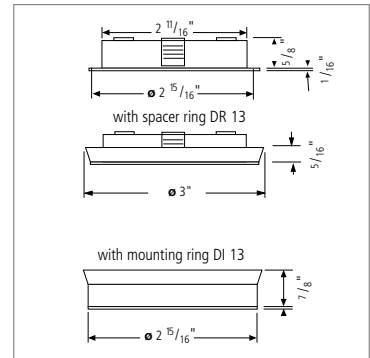


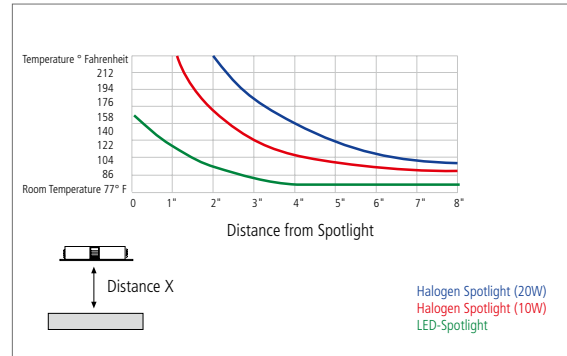
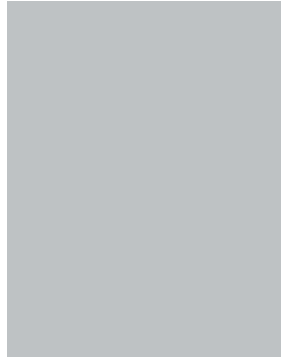
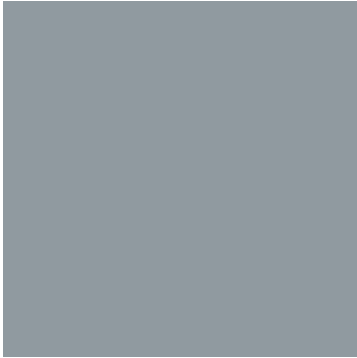
Low-Profile Recessed Or Surface Mounted LED Spotlight

This friction fit spotlight is designed for installation in kitchen cabinets, displays, furniture and inside closets. It uses the latest generation Power LEDs which offer an equivalent light output to a 20 W halogen spotlight at only a fraction of the energy consumption (3 W). Virtually no heat emission and no ultraviolet radiation guarantee that your products won't be damaged. 50,000 hrs. of usable life make lamp changes a thing of the past.

Product-Features

- Recess depth only $\frac{5}{8}$ " or $\frac{1}{2}$ " (with spacer ring DR13)
- When surface mounted, overall height $\frac{7}{8}$ "
- Friction fit
- Approved for use in closet applications
- Only 3 Watt power consumption (3 x 1 W LEDs)
- Available with cool white or warm white LEDs
- Finishes: white, black, chrome, stainless steel and gold
- Attached 69" connecting cable with plug-in connector
- To be used with 350 mA constant current DC converter
- Special accessories available:
 - DR13-Spacer ring to reduce recessed depth
 - DI13-Surface mount ring
- Additional LED connecting cables are available in 36" and 72"
- Dimmable with available accessories





What you'll need to buy

Spotlights

ARF-LED

Warm White

Finish	Code No.
White	ARFLED3200WH
Black	ARFLED3200BL
Chrome	ARFLED3200CH
Gold	ARFLED3200GO
Stainless Steel	ARFLED3200SS

Cool White

Finish	Code No.
White	ARFLED5500WH
Black	ARFLED5500BL
Chrome	ARFLED5500CH
Gold	ARFLED5500GO
Stainless Steel	ARFLED5500SS

LED Power Supply (for specs refer to pages 65, 68 – 69)

Description	Code No.
Constant Current Driver 10 Watt	PSLED/10
Dimmable Constant Current Driver 18 Watt	PSLED/DIM
LED Dimmer Controller	DIMCONTROL

Optional Accessories

Surface Mount Rings

Finish	Code No.
White	DI13WH
Black	DI13BL
Chrome	DI13CH
Gold	DI13GO
Stainless Steel	DI13SS

Cables

Description	Code No.
Connecting Cable 36 "	LEDCC36
Connecting Cable 72 "	LEDCC72

ARFQ-LED

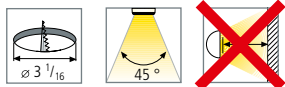
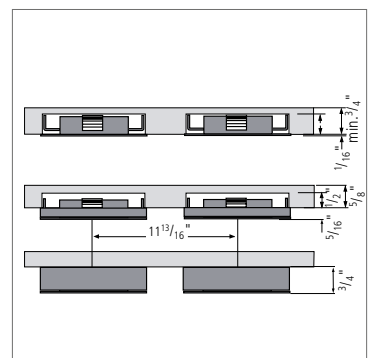
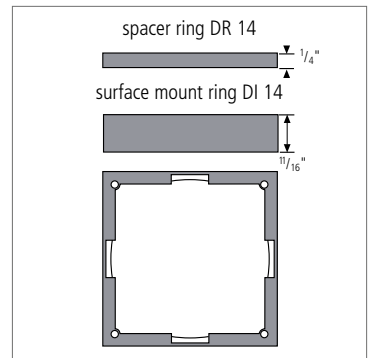
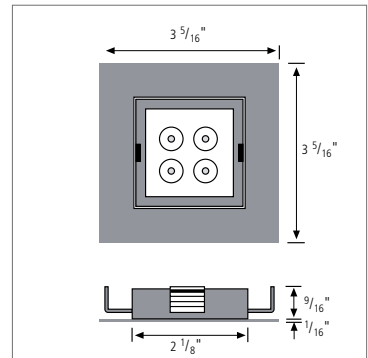


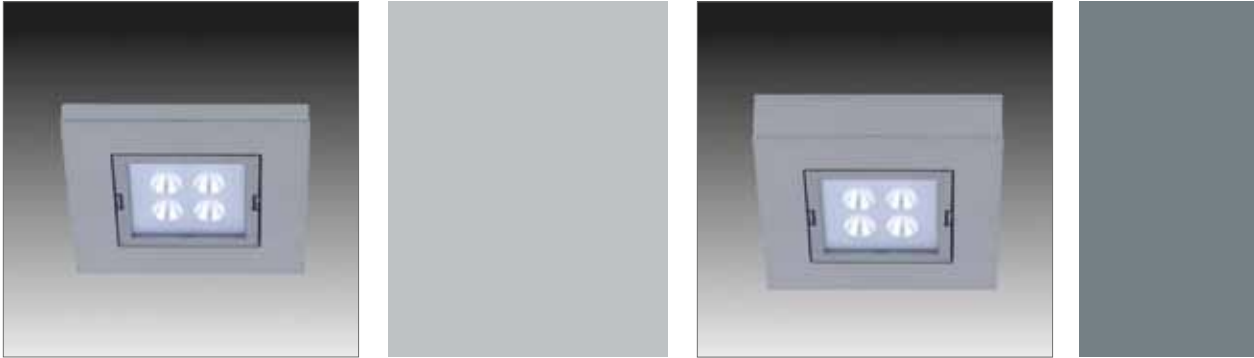
Powerful LED Cabinet Spotlight With Contemporary Square Design

The ARFQ-LED features 4 x 1 W high-power LEDs of the latest generation, guaranteeing a very high and even light output. The square design is perfect for today's contemporary kitchen cabinets, furniture, displays and even inside closets. The spotlight can be recessed or surface mounted.

Product-Features

- Recess depth only $\frac{5}{8}$ " or $\frac{1}{2}$ " (with spacer ring DR14)
- When surface mounted, overall height $\frac{3}{4}$ "
- Friction fit
- Approved for use in closet applications
- Only 4 Watt power consumption (4 x 1 W LEDs)
- Available with cool white or warm white LEDs
- Finishes: white, black, chrome, stainless steel and gold
- Attached 69" connecting cable with plug-in connector
- To be used with 350 mA constant current DC converter
- Special accessories available:
DR 14 – Spacer ring to reduce recess depth
DI 14 – Surface mount ring
- Additional LED connecting cables are available in 36" and 72"
- Dimmable with available accessories





What you'll need to buy

Spotlights

ARFQ-LED

Warm White

Finish	Code No.
White	ARFQLEDWH/WW
Black	ARFQLEDBL/WW
Chrome	ARFQLEDCH/WW
Gold	ARFQLEDGO/WW
Stainless Steel	ARFQLEDSS/WW

Cool White

Finish	Code No.
White	ARFQLEDWH/CW
Black	ARFQLEDBL/CW
Chrome	ARFQLEDCH/CW
Gold	ARFQLEDGO/CW
Stainless Steel	ARFQLEDSS/CW

LED Power Supply (for specs refer to pages 65, 68 – 69)

Description	Code No.
Constant Current Driver 10 Watt	PSLED/10
Dimmable Constant Current Driver 18 Watt	PSLED/DIM
LED Dimmer Controller	DIMCONTROL

Optional Accessories

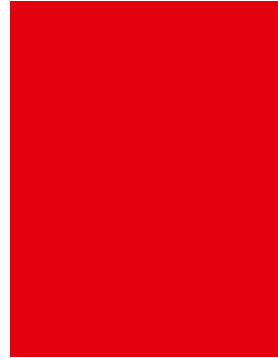
Surface Mount Rings

Finish	Code No.
White	DI14WH
Black	DI14BL
Chrome	DI14CH
Gold	DI14GO
Stainless Steel	DI14SS

Cables

Description	Code No.
Connecting Cable 36 "	LEDCC36
Connecting Cable 72 "	LEDCC72

KB12-LED/KBS12-LED

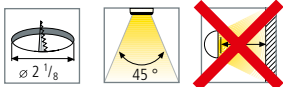
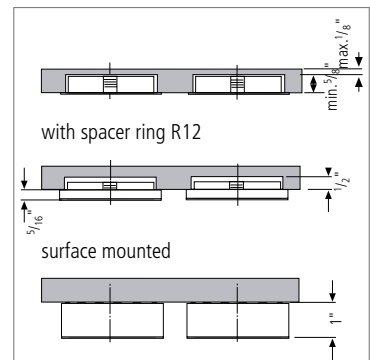
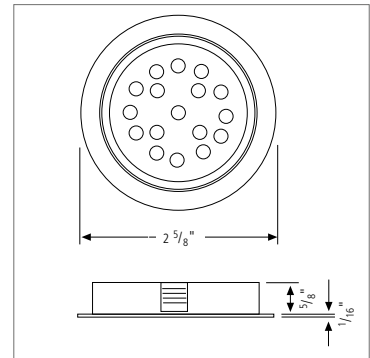


High Quality LED Spotlight At A Mid Level Price

The KB12-LED is a German made LED spotlight, available at a very attractive price. It features the latest generation SMD LEDs which provide a high and even light output while using only 1.6 W of energy. The KB12-LED can be surface and recessed mounted and is perfect for kitchen cabinets, furniture and closet applications.

Product-Features

- Recess depth only $\frac{5}{8}$ " or $\frac{1}{2}$ " (with spacer ring R12)
- When surface mounted, overall height 1"
- Friction fit
- Approved for use in closet applications
- Only 1.6 W power consumption
- Available with cool white or warm white LEDs
- 50,000 hours usable life
- Finishes: white, black, chrome, stainless steel and gold
- Attached 98" connecting cable with plug-in connector
- To be used with 24 Vdc LED driver
- Special accessories available:
 - R12 – Spacer ring to reduce recess depth
- Additional LED connecting cables are available in 39" and 98"
- Dimmable with available accessories





What you'll need to buy

Spotlights

KB12-LED

Recessed, warm white

Finish	Code No.
White	KB12LEDWH/WW
Black	KB12LEDBL/WW
Chrome	KB12LEDCH/WW
Gold	KB12LEDGO/WW
Stainless Steel	KB12LEDSS/WW

KBS12-LED

Surface mounted, warm white

Finish	Code No.
White	KBS12LEDWH/WW
Black	KBS12LEDBL/WW
Chrome	KBS12LEDCH/WW
Gold	KBS12LEDGO/WW
Stainless Steel	KBS12LEDSS/WW

LED Power Supply (see page 64)

Description	Code No.
Constant Voltage Driver 6 W	STICKPS24/06
Constant Voltage Driver 30 W	STICKPS24/30
Constant Voltage Driver 75 W	STICKPS24/75
Power Cable extension 39"	KB12LEDCC39
Power Cable extension 98"	KB12LEDCC98

Recessed, cool white

Finish	Code No.
White	KB12LEDWH/CW
Black	KB12LEDBL/CW
Chrome	KB12LEDCH/CW
Gold	KB12LEDGO/CW
Stainless Steel	KB12LEDSS/CW

Surface mounted, cool white

Finish	Code No.
White	KBS12LEDWH/CW
Black	KBS12LEDBL/CW
Chrome	KBS12LEDCH/CW
Gold	KBS12LEDGO/CW
Stainless Steel	KBS12LEDSS/CW

Optional Accessories (see pages 65 – 67)

Description	Code No.
Dimmer	STICKPSDIM
Dimmer Controller	DIMCONTROL
Distributor Cable	STICKDIM/YCABLE
Motion-Activated Infrared Switch	IRSWITCH
Remote Control Dimmer	RCPSDIM
Terminal Block	STICKTB
Rocker Switch	SWITCH/PS24

ER/EQ-LED



Hera Quality LED Spotlight At An Affordable Price

The ER-LED and EQ-LED are the latest in economically priced LED spotlights. The high quality ER-LED and EQ-LED feature an energy saving, surface mounted spotlight perfect for under cabinets in kitchens, inside closets, bathrooms or displays using only 1.2 W. Easy installation with no need to drill holes into cabinets.

Product-Features

- Extremely long life, rated at 30,000 hours
- Energy Efficient. Only 1.2 W
- Stainless Steel finish in either Round or Square Design
- Approved for use in closet applications
- Available in Cool White or Warm White LEDs
- Flat dimensions. ER-LED height only $\frac{5}{16}$ " , EQ-LED height only $\frac{3}{8}$ "
- Attached 98" connecting cable with plug-in connector
- To be used with 24 Vdc LED Driver
- Additional LED connecting cables are available in 39" and 98"
- Compatible with Hera 24 V LED switching accessories
- Dimmable with optional accessories

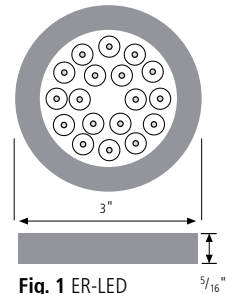


Fig. 1 ER-LED

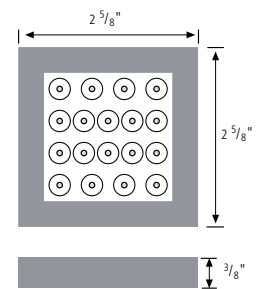
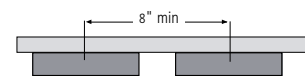
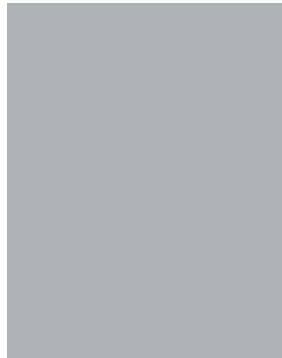


Fig. 2 EQ-LED





What you'll need to buy

ER/EQ-LED Light Fixture

ER/LED

Color	Code No.
Warm White	ERLEDSS/WW
Cool White	ERLEDSS/CW

LED Power Supply (see page 64)

Color	Code No.
Constant Voltage Driver 6 W	STICKPS24/06
Constant Voltage Driver 30 W	STICKPS24/30
Constant Voltage Driver 75 W	STICKPS24/75
Power Cable Extension 39"	KB12LEDCC39
Power Cable Extension 98"	KB12LEDCC98

EQ-LED

Finish	Code No.
Warm White	EQLEDSS/WW
Cool White	EQLEDSS/CW

Optional Accessories (see pages 65 – 67)

Description	Code No.
Dimmer	STICKPSDIM
Dimmer Controller	DIMCONTROL
Distributor Cable	STICKDIM/YCABLE
Motion-Activated Infrared Switch	IRSWITCH
Remote Control Dimmer	RCPSDIM
Terminal Block	STICKTB
Rocker Switch	SWITCH/PS24

ER1/ES1-LED

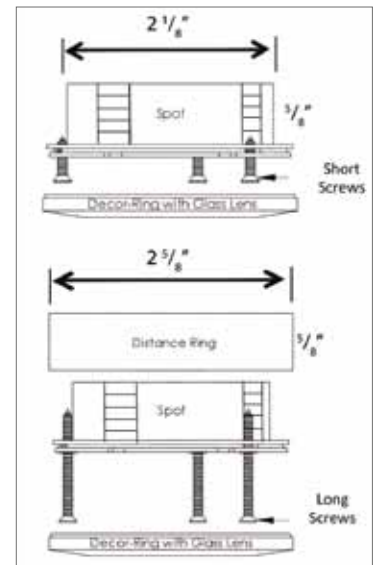


Economically Recessed Or Surface Mounted LED Spotlight To Connect To Existing Halogen Transformers

The ER1/ES1-LED is the easiest way to replace Halogen spotlights without having to replace the transformer. These spotlights are the perfect accent lighting for vanities, displays, furniture, kitchen cabinets and especially RV's and boats.

Product-Features

- Energy efficient: Only 1.7 W
- Extremely long lamp life, rated 30,000 hours
- Available in cool white or warm white LEDs
- Finishes available: stainless steel or white
- Can be connected to Automotive 12 V
- To be used with our Halogen Transformers, (12 V AC/DC)
- Attached 79" connecting cable with NV6 plug

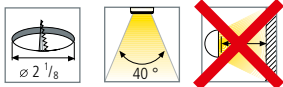


ES1:

- Overall height only 7/8"
- Screw on decor-ring
- Special accessories available: DR-I spacer ring

ER1:

- Same as ES1 but recess mounted by removing included distance ring
- Overall height only 1/8"





What you'll need to buy

Spotlights

ER1/ES1-LED Spotlight

Warm White

Finish	Code No.
White	ES1LEDWH/WW
Stainless Steel	ES1LEDSS/WW

Cool White

Finish	Code No.
White	ES1LEDWH/CW
Stainless Steel	ES1LEDSS/CW

Transformers (for specs refer to pages 92 – 94)

Description	Code No.	
Ecoline 60 Watt	UE-E60FT	minimum load (1) maximum load (9)
Premium 60 Watt	UC-60FT	minimum load (1) maximum load (9)
Premium 120 Watt	UK-120TW	per output, minimum load (1) maximum load (9)

Connecting Cables 2NV6

Length	Code No.
20"	2NV6500
39"	2NV61000
79"	2NV62000
119"	2NV63000

Description	Code No.
Terminal Block	NVK64
By using 2 X NVK64, per output, a 9 light load can be accomplished with no open connections.	

Eye-LED

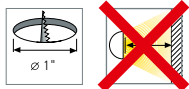
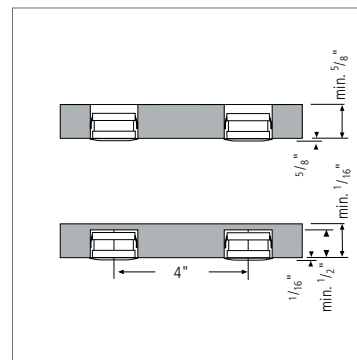
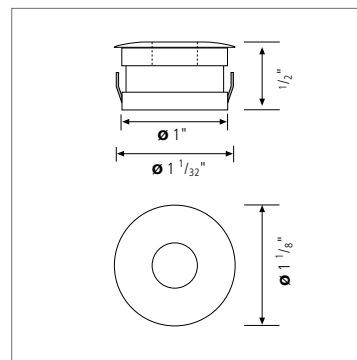


Miniature LED Spotlight

Eye-LED is the perfect lighting solution for all applications where minimal installation dimensions are essential. It fits into a 1" diameter x 1/2" depth installation opening. Eye-LED features a 1 W high-power LED. It is the perfect choice for under cabinets, inside closets and in furniture.

Product-Features

- Extremely small dimensions: recess depth 1/2", recess diameter 1"
- 1 W high-power LED
- Approved for use in closet applications
- Ready to connect to 350 mA constant current power supply, 51" connecting cable with plug-in connector attached
- Available with cool white or warm white LEDs
- Finish: stainless steel and brushed aluminum
- Additional LED connecting cables are available in 36" and 72"
- Dimmable with available accessories





What you'll need to buy

Spotlights

Eye-LED

Warm White

Finish	Code No.
Stainless Steel	EYELEDSS/WW
Aluminum	EYELEDA/WW

Cool White

Finish	Code No.
Stainless Steel	EYELEDSS/CW
Aluminum	EYELEDA/CW

LED Power Supply (for specs refer to pages 65, 68 – 69)

Description	Code No.
Constant Current Driver 10 Watt	PSLED/10
Dimmable Constant Current Driver 18 Watt	PSLED/DIM
LED Dimmer Controller	DIMCONTROL

Cables and Connectors

Description	Code No.
Connecting Cable 36"	LEDCC36
Connecting Cable 72"	LEDCC72
Terminal Block	TBLED/B

HO-LED

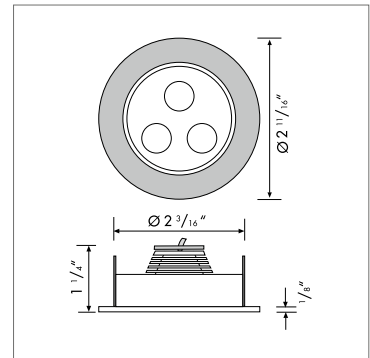


High Output Swivel And Non-Swivel LED Spotlights

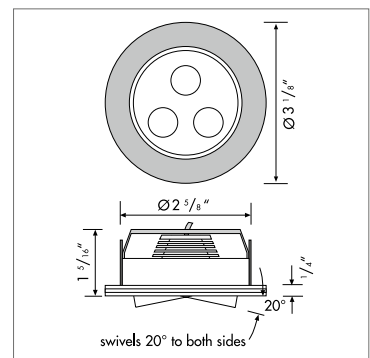
Hera's swivel and non-swivel HO-LED spotlights are ideal for applications where high levels of LED light are desired and minimal installation dimensions are not so important. The spotlights feature integrated 3 x 1.2 W high power LEDs with full LED optics. HO-LED Spots are perfect for displays, larger showcases, inside closets and even soffits.

Product-Features

- High quality, brushed aluminum housing
- Swivel (+/- 20 degrees) and non-swivel version available
- Approved for use in closet applications
- 3 x 1.2 W high power LEDs with full LED optics
- Available with cool white or warm white LEDs
- Recess depth 1 1/8" non-swivel, 1 1/16" swivel
- Friction fit
- Attached 79" connecting cable with plug-in connector
- To be used with 350 mA constant current DC converter
- Additional LED connecting cables are available in 36" and 72"
- Dimmable with available accessories

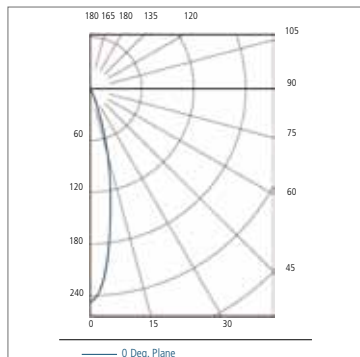


HO-LED 1

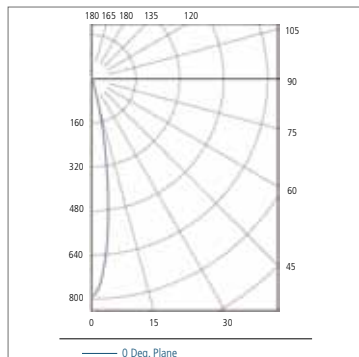


HO-LED 2





HO-LED2/WW



HO-LED1/CW



What you'll need to buy

Spotlights

HO-LED1

Warm White

Finish	Code No.
Brushed Aluminum	HOLED1WW

Cool White

Finish	Code No.
Brushed Aluminum	HOLED1

HO-LED2

Warm White

Finish	Code No.
Brushed Aluminum	HOLED2WW

Cool White

Finish	Code No.
Brushed Aluminum	HOLED2

LED Power Supply (for specs refer to pages 65, 68 – 69)

Description	Code No.
Constant Current Driver 10 W	PSLED/10
Dimmable Constant Current Driver 18 W	PSLED/DIM
LED Dimmer Controller	DIMCONTROL

Cables

Description	Code No.
Connecting Cable 36"	LEDCC36
Connecting Cable 72"	LEDCC72

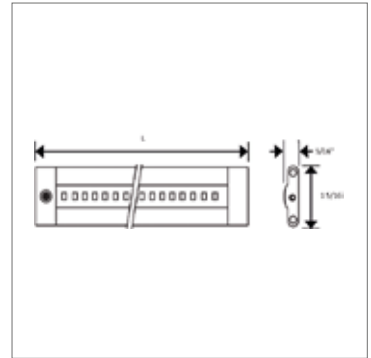
AKOD-LED

NEW



Affordable Kitchen, Office and Display Lighting

The brand new AKOD-LED is a complete LED lighting solution which offers a very low profile and integrated on/off switch. Specifically designed with office applications in mind due to the switches and sensors available, the AKOD-LED is also a perfect choice for cabinets and retail displays. With a lifetime of 50,000 hours, the AKOD-LED comes in three sizes and offers dimming capabilities.



Product-Features

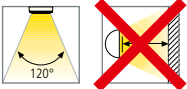
- Energy Efficient with 50,000 hours useable life
- Three sizes available: 12" (3 W), 20" (5 W) and 39" (11 W)
- Available with cool white or warm white LEDs
- Comes with 2 mounting clips, direct connector and 36" connecting cable
- IR Switch available for door applications
- Occupancy Sensor available
- Dimmers available for easy control
- Magnetic mounting kit available

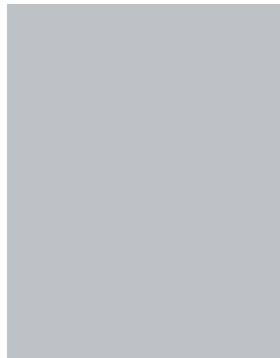
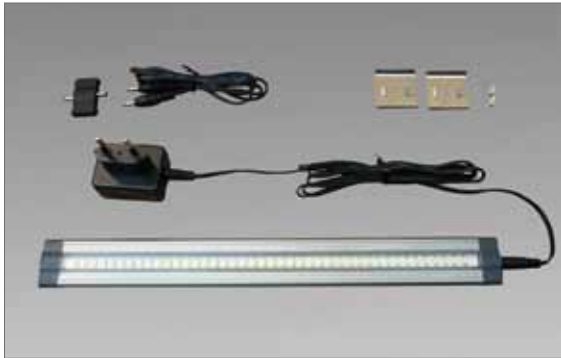


Occupancy Sensor



Dimmer





What you'll need to buy

AKOD-LED

Warm White

Length	Watt	Code No.
12"	3	AKOD12/WW
20"	5	AKOD20/WW
39"	11	AKOD39/WW

LED Power Supply

Description	Code No.
6 W Driver with 5' Output Cord	AKOD/D6
12 W Driver with 5' Input Cord and 5' Output Cord	AKOD/D12
24 W Driver with 5' Input Cord and 5' Output Cord	AKOD/D24
36 W Driver with 5' Input Cord and 5' Output Cord	AKOD/D36

Optional Accessories

Description	Code No.
Touch Dimmer	AKOD/TD
Occupancy Sensor	AKOD/OC
Infrared Sensor	AKOD/IR
Dimmer	AKOD/DIM
4 Way Splitter	AKOD/SPL
Direct Connector	AKOD/DC
Silver Magnet	AKOD/MAGNET

Cool White

Length	Watt	Code No.
12"	3	AKOD12/CW
20"	5	AKOD20/CW
39"	11	AKOD39/CW

Cables

Description	Code No.
Connecting Cable 36"	AKOD/CC

Stem-LED

NEW

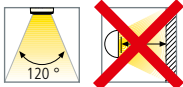
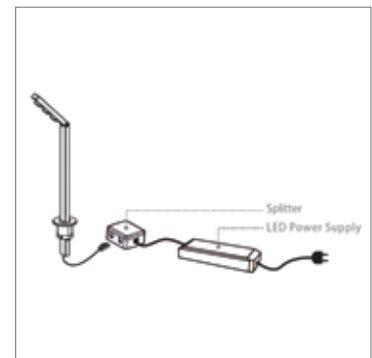
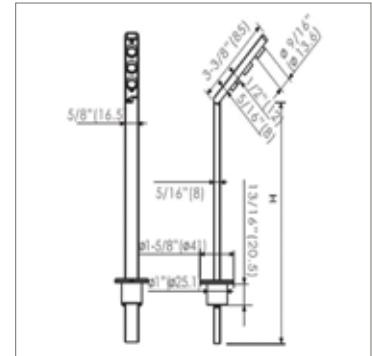


LED Showcase Lighting

Hera's new Stem-LED is an adjustable stem light used as direct illumination for merchandise showcases. Using only 5 W of LEDs, Stem-LED provides an extremely high and even light output and is particularly suitable for installation in jewelry cases, bringing out the sparkle in your diamonds. The Stem-LED can be mounted to furniture and adjusted to provide illumination where desired.

Product-Features

- Energy Efficient using only 5 W of energy
- Available in three different sizes: 7", 10" and 20"
- Comes with cool white LEDs, with custom color temperatures available
- Extremely high, even light output
- Stem head swivels 90 degrees
- Base will rotate 360 degrees
- To be used with 20 W, 500 mA constant current driver





What you'll need to buy

Light Fixtures

Stem-LED

Cool White

Length	Code No.
8 ⁵ / ₁₆ "	STEMLED/7/500/SS
11 ¹ / ₄ "	STEMLED/10/500/SS
21 ¹ / ₁₆ "	STEMLED/20/500/SS

LED Power Supply

Description	Code No.
Constant Current 500mA Driver, 20 Watt	PSLED/500/20

Flex-LED



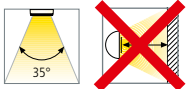
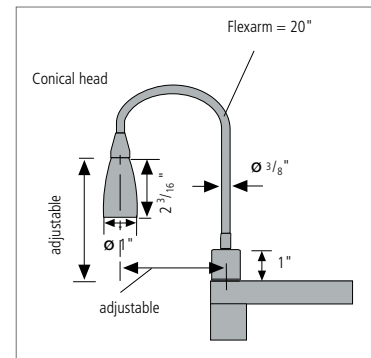
Flex-LED

Flexarm LED Spotlight

Ideal for display applications or as a reading light in headboards. The flexible arm allows an exact direction of the light. The 1 W high-power LED provides a good light output without any heat or UV radiation, allowing you to directly illuminate even the most sensitive products.

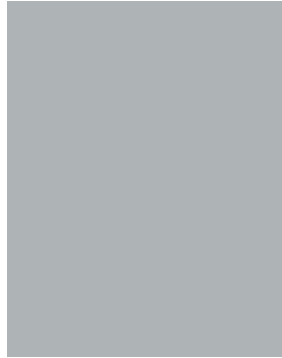
Product-Features

- 20" long Flexarm
- 1 W high-power LED
- Ready to connect to 350 mA constant current power supply, 51" Connecting cable with plug-in connector attached
- Available with cool white or warm white LED
- Finish: matte chrome
- Special order colors and sizes are available for minimum quantities
- Four different versions
- Additional LED connecting cables are available in 36" and 72"
- Dimmable with available accessories





Flex-LED Edenroc



Flex-LED Side Mount



What you'll need to buy

Spotlights

Flex-LED

Warm White

Finish	Code No.
Matte Chrome	FLEXLED/WW/MCH

FLEX-LED Edenroc

Finish	Code No.
Matte Chrome	EDENROC/WW/MCH

FLEX-LED SIDE MOUNT – left

Finish	Code No.
Matte Chrome	SIDE/L/S/WW

FLEX-LED SIDE MOUNT – right

Finish	Code No.
Matte Chrome	SIDE/R/S/WW

Cool White

Finish	Code No.
Matte Chrome	FLEXLED/CW/MCH

Finish	Code No.
Matte Chrome	EDENROC/CW/MCH

Finish	Code No.
Matte Chrome	SIDE/L/S/CW

Finish	Code No.
Matte Chrome	SIDE/R/S/CW

LED Power Supply (for specs refer to pages 65, 68 – 69)

Description	Code No.
Constant Current Driver 10 W	PSLED/10
Dimmable Constant Current Driver 18 W	PSLED/DIM
LED Dimmer Controller	DIMCONTROL

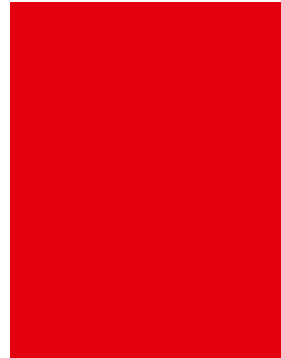
Optional Accessories

Description	Code No.
Power Control Module	PCM
PCM Switch with Cable	PCMSWITCH

FlexVE-LED



Side Mount



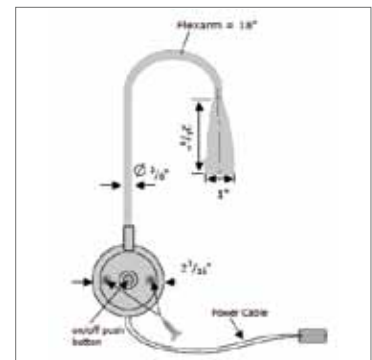
Value Engineered Flexarm LED Spotlight

Ideal for display applications or as a reading light in headboards. The flexible arm allows an exact direction of the light. The 1 W high-power LED provides a good light output without any heat or UV radiation, allowing you to directly illuminate even the most sensitive products.

Product-Features

FLEXVE-LED Edenroc

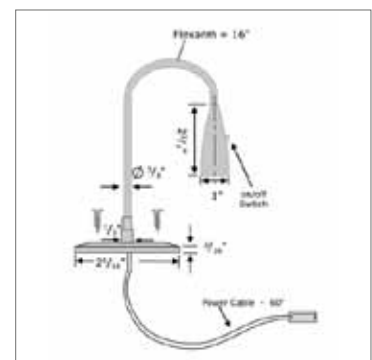
- 18" long Flexarm
- Stainless Steel or Brushed Aluminum Finish
- Available with cool white or warm white LEDs
- 350 mA plug-in power supply with 60" connecting cable included
- Additional LED connecting cables available in 36" and 72"



Edenroc

FLEXVE-LED Aquaflex

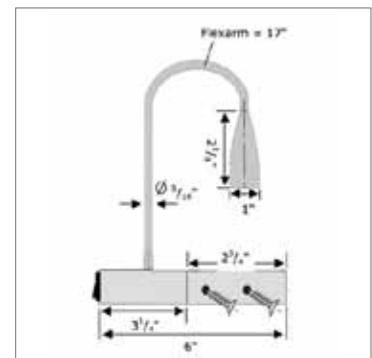
- 16" long Flexarm
- Iron Finish
- Available with cool white or warm white LEDs
- 350 mA plug-in power supply with 60" connecting cable included
- Additional LED connecting cables available in 36" and 72"



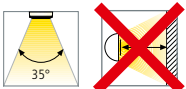
Aquaflex

FLEXVE-LED Side

- 17" long Flexarm
- Brushed Aluminum Finish
- Available with cool white or warm white LEDs
- 61" power cable with plug connector attached
- 350 mA plug-in power supply with 60" connecting cable included
- Available in a Left and Right version
- Additional LED connecting cables are available in 36" and 72"

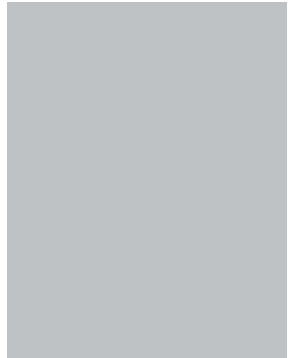


Side Mount





AquaFlex



What you'll need to buy

Spotlights

FLEX-LED Edenroc VE

Warm White

Finish	Code No.
Stainless Steel	EDENROC/WW/VE/HI

FLEX-LED Aquaflex VE

Warm White

Finish	Code No.
Iron	AQUAFLEX/WW/VE

FLEX-LED SIDE MOUNT – RIGHT

Warm White

Finish	Code No.
Brushed Aluminum	SIDE/R/S/WW/VE

FLEX-LED SIDE MOUNT – LEFT

Warm White

Finish	Code No.
Brushed Aluminum	SIDE/L/S/WW/VE

Cool White

Finish	Code No.
Stainless Steel	EDENROC/CW/VE/HI

FLEX-LED Aquaflex VE

Cool White

Finish	Code No.
Iron	AQUAFLEX/CW/VE

Cool White

Finish	Code No.
Brushed Aluminum	SIDE/R/S/CW/VE

Cool White

Finish	Code No.
Brushed Aluminum	SIDE/L/S/CW/VE

LED Power Supply (for specs refer to pages 65, 68 – 69)

Description	Code No.
Constant Current Driver 10 W	PSLED/10
Dimmable Constant Current Driver 18 W	PSLED/DIM
LED Dimmer Controller	DIMCONTROL

LED Power Supplies

Constant Voltage 24 V



6 W Driver



30 W Driver



75 W Driver

Electronic Power Supply For 24Vdc LEDs

Constant voltage electronic power supply for up to 75 W of LEDs. These power supplies work perfectly in all commercial and residential applications and feature very small dimensions.

Product-Features

- 110 V, 50/60 Hz
- 24 V constant voltage
- Available wattages: 6 W, 30 W, 75 W
- Overload protection
- Overheat protection
- Short-circuit protection
- Soft start for maximum LED life
- 79" plug-in power cord
- One attached terminal block for up to 12 power cord connections
- Additional terminal blocks available

What you'll need to buy

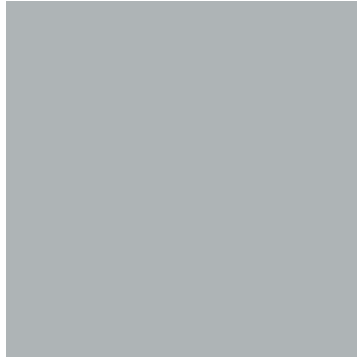
Description	Code No.
6 Watt Driver	STICKPS24/06
30 Watt Driver	STICKPS24/30
75 Watt Driver	STICKPS24/75

LED Dimming Accessories

Constant Voltage LED



STICKPSDim



DimControl

Dimmer For LED Light Fixtures

Connects to the output of the 24 Vdc constant voltage power supply to allow expanded plug and play functionality for lighting control. For additional versatility in installation the StickPSDim uses a separate controller, the DimControl. This allows the lighting to be adjusted from virtually anywhere in the cabinet.

Product-Features

- For dimming of 24 Vdc LEDs
- Connects to output of StickPS driver
- Can supply up to 48 W of LEDs
- Dimming range: 0 – 100 %
- Control signal output: 1 – 10Vdc
- Must be used with DimControl or 1 –10V compatible controller
- Can be ganged together for an expanded dimmable system

DimControl

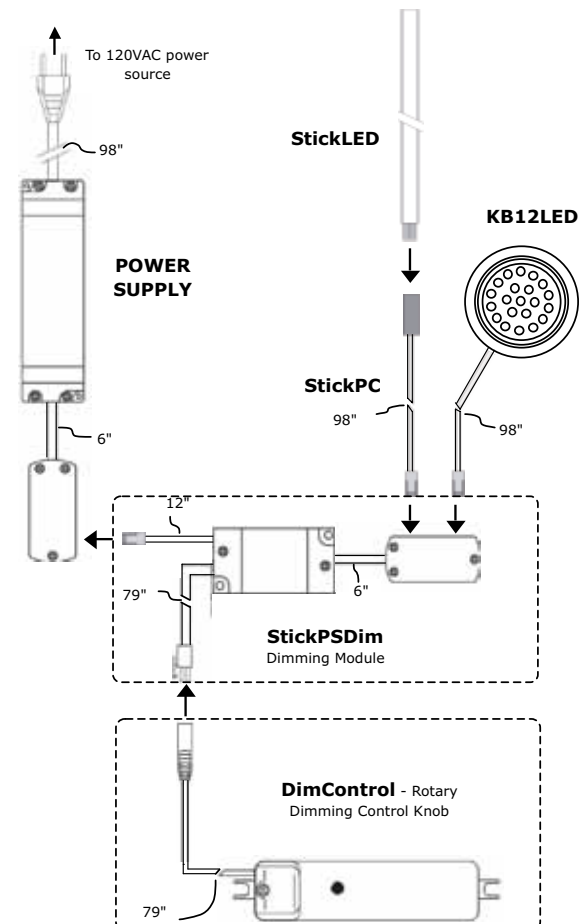
- To be used with StickPSDim
- 1 – 10 Vdc Sink Control
- Available separately
- Can be used with PSLED/DIM Constant Current Driver

What you'll need to buy

Description	Code No.
Dimming Module	STICKPSDIM
Dimming Controller	DIMCONTROL

Optional Accessories

Description	Code No.
Y-Cable adapter	STICKDIM/YCABLE
DimControl extension cable 20"	MINI/500
DimControl extension cable 39"	MINI/1000
DimControl extension cable 72"	MINI/1800

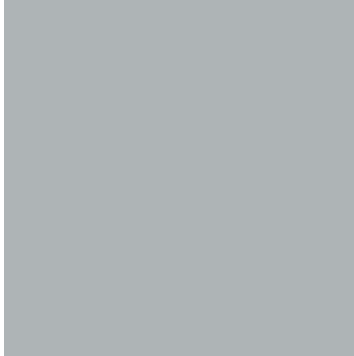


LED Dimming Accessories

Constant Voltage LED



RCPSDim



Remote Control

Remote Control Dimmer For LED Light Fixtures

Remote Controlled Dimming Adapter allows true energy savings when dimming. Connects to the output of the 24 Vdc constant voltage power supply to allow expanded plug and play functionality for lighting control. For ease of installation and reduced cabling, the RCPSDIM uses a wireless controller. This allows the lighting to be adjusted from anywhere in the room.

- New Features:**
- Programmable remote
 - Can operate multiple receivers

Product-Features

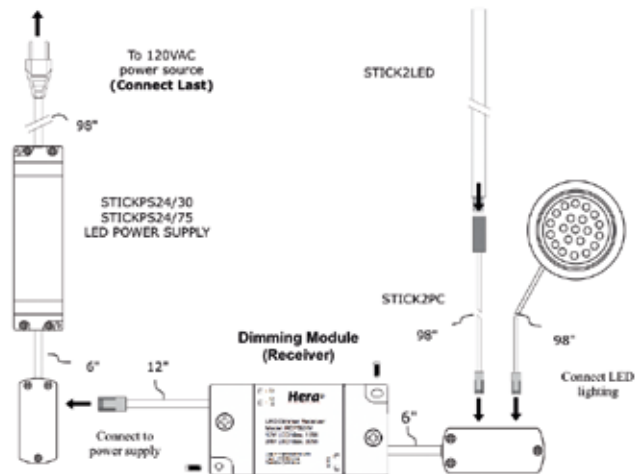
- Allows dimming of 24 Vdc LEDs
- Connects to output of StickPS driver
- Can supply up to 30 W of LEDs
- Dimming range: 0 – 100%
- Quickset buttons for 10 % or 100 % level
- Remote distance up to 50 ft
- Remote requires (1) CR2032 battery included
- No interference with multiple remote systems

What you'll need to buy

Description	Code No.
RC Dimming Module	RCPSDim
RC Dimming Controller	(included)

Optional Accessories

Description	Code No.
Terminal Block	StickTB
Amplifier	(Special Order)

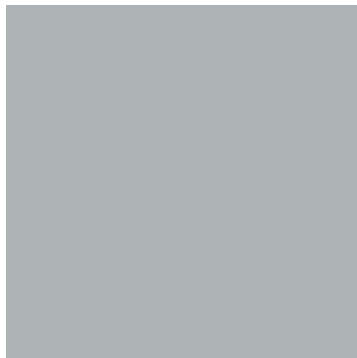


LED Switching Accessories

Constant Voltage LED



IR Switch



Infrared Switch For LED Light Fixtures

Low-Voltage IR Switch Controller allows flexibility of switching individual lighting sections without wall controls. The multi-function, motion activated switch will allow two modes of operation. One mode of operation functions as a door contact switch to allow interior cabinet lighting to operate when the door is opened/closed. The second mode will function as a motion sensor to allow touch free operation. Since this is a Class 2 switch, it can be mounted virtually anywhere in the millwork.

Product-Features

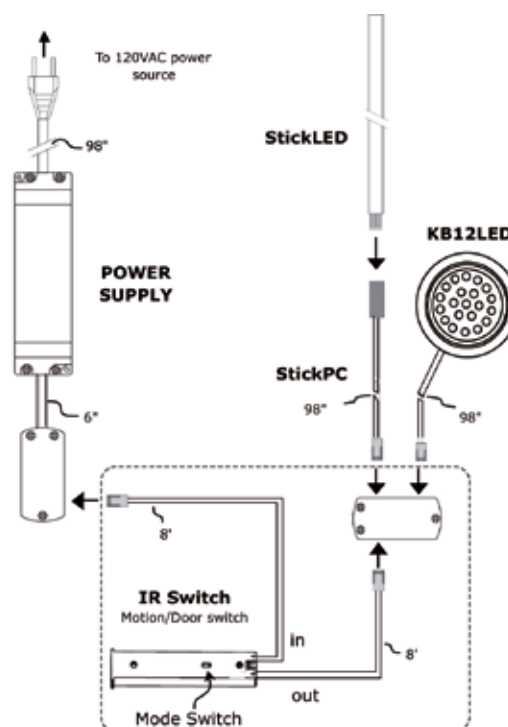
- Dual function IR switch for control of 24 Vdc LEDs
- Function 1 – (default) Door contact switch operation
- Function 2 – Touch switch operation
- Connects to output of StickPS driver
- Can supply up to 30 W of LEDs
- Surface mountable with included tape
- Recessed mountable in $\frac{9}{16}$ " drill hole
- Special order amplifier available to connect larger lighting systems (more than 30 W) to one switch.

What you'll need to buy

Description	Code No.
IR Switch	IRSWITCH
Terminal block	(included)

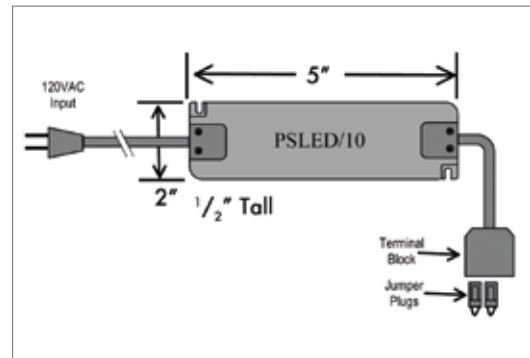
Optional Accessories

Description	Code No.
Terminal Block	StickTB
Amplifier	(Special Order)



LED Power Supply, 10 W

Constant Current, 350 mA

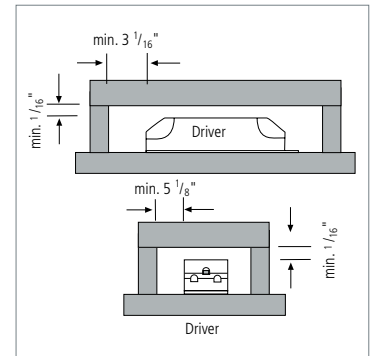


Electronic Power Supply For 1 – 10 W High-Power LEDs

New streamlined, small electronic power supply for up to 10 W of high-power LEDs.

Product-Features

- 120 VAC, 60 Hz
- 350 mA constant current
- Overload protection
- Overheat protection
- Short-circuit protection
- Soft start for maximum LED life
- 79" plug-in power cord
- Attached terminal block for 3 x LED spotlights.
- Additional terminal blocks available
- Driver not dimmable

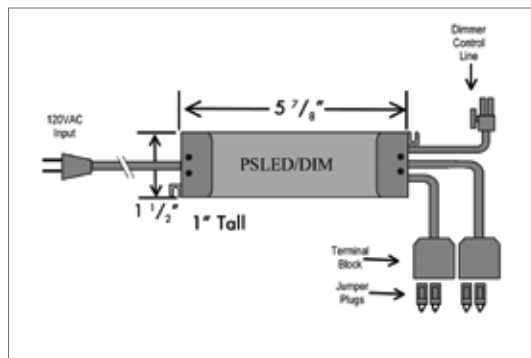


What you'll need to buy

Description	Code No.
Constant Current Driver 10 Watt, 350 mA	PSLED/10
Connecting Cable 36"	LEDCC36
Connecting Cable 72"	LEDCC72
Additional Terminal Block	TBLED/B

Dimmable LED Power Supply, 18W

Constant Current, 350 mA

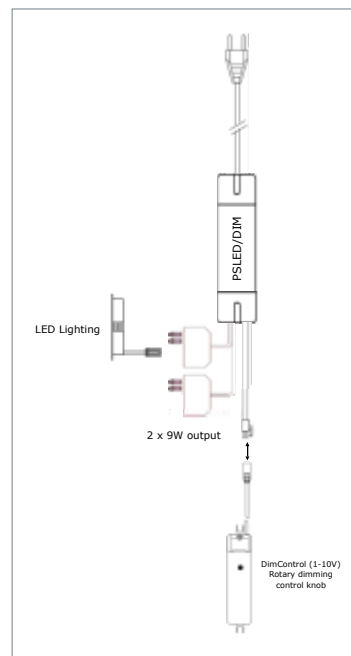


18 W Electronic Power Supply For 2x 1 – 9W High-Power LEDs

Constant current electronic power supply for up to 18 W of high-power LEDs. This power supply works perfectly in all commercial and residential applications with very small dimensions, and is dimmable.

Product-Features

- 100 V-120 VAC, 60 Hz
- 350 mA constant current
- For connections of up to 18 W high-power LEDs
- Overload protection
- Overheat protection
- Short-circuit protection
- Soft start for maximum LED life
- 79" plug-in power cord
- Two attached terminal blocks for 3 x LED spotlights each
- Additional terminal blocks available



PSLED/DIM connection diagram

What you'll need to buy

Description	Code No.
Dimmable Constant Current Driver 18 Watt	PSLED/DIM
LED Dimmer Controller	DIMCONTROL
Connecting Cable 36"	LEDCC36
Connecting Cable 72"	LEDCC72
Additional Terminal Block	TBLED/B

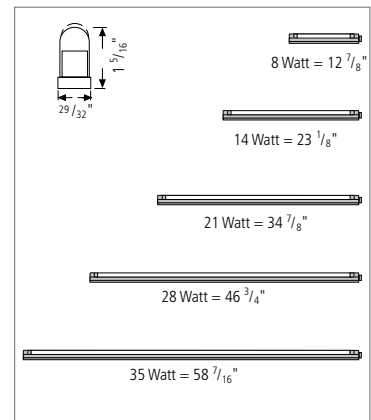
SlimLite XL T5

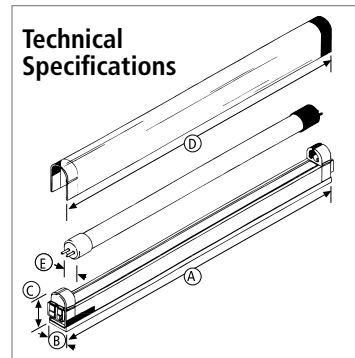
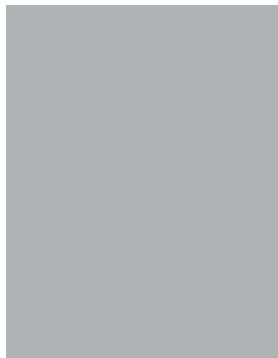


For longer runs, SlimLite XL is the solution. The XL offers all the benefits of SlimLite: It's cooler, brighter, more compact. And now it's available in 1', 2', 3', 4' and 5' lengths. This enables continuous rows of light which makes the XL the perfect lighting system for gondolas, store fixtures and long runs of shelves. SlimLite XL features standard T-5 lamps which are available in a variety of light colors. Its optional plexiglas cover makes it the preferred light fixture for food applications.

Product-Features

- Built-in electronic ballast
- Energy efficient, only 8, 14, 21, 28 and 35 W
- Uses standard T-5 lamps, CRI > 82 (to be ordered separately)
- Plug-in modular system permits easy connection for continuous lighting
- Extremely long bulb life, rated 20,000 hrs.
- Available in five different lengths:
1' ($12 \frac{7}{8}$ "), 2' ($23 \frac{1}{8}$ "), 3' ($34 \frac{7}{8}$ "),
4' ($46 \frac{3}{4}$ ") and 5' ($58 \frac{7}{16}$ ") width: $\frac{29}{32}$ ", height: $1 \frac{5}{16}$ "
- Optional plexiglass cover available (to be ordered separately)
- Contemporary white housing
- End of lamp life circuitry to protect ballast





What you'll need to buy

SlimLite XL Fluorescent Light Fixture

Description	Watt	Length	Code No.
ES12	8	12 ⁷ / ₈ "	ES12
ES22	14	23 ¹ / ₈ "	ES22
ES34	21	34 ⁷ / ₈ "	ES34
ES46	28	46 ³ / ₄ "	ES46
ES59	35	58 ⁷ / ₁₆ "	ES59

Also available with bulb and cover. Add BC (Cool White) or WW BC (Warm White) to product code.

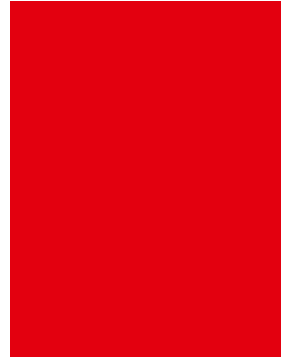
	ES12	ES22	ES34	ES46	ES59
(A) fixture length	12 ⁷ / ₈ "	23 ¹ / ₈ "	34 ⁷ / ₈ "	46 ³ / ₄ "	58 ⁷ / ₁₆ "
(B) fixture width	29 ¹ / ₃₂ "	29 ¹ / ₃₂ "	29 ¹ / ₃₂ "	29 ¹ / ₃₂ "	29 ¹ / ₃₂ "
(C) fixture height with diffuser	1 ⁵ / ₁₆ "	1 ⁵ / ₁₆ "	1 ⁵ / ₁₆ "	1 ⁵ / ₁₆ "	1 ⁵ / ₁₆ "
(D) tube length	11 ¹ / ₄ "	21 ¹ / ₂ "	33 ¹ / ₄ "	45 ¹ / ₈ "	57"
(E) tube diameter	T5 (5/8")	T5 (5/8")	T5 (5/8")	T5 (5/8")	T5 (5/8")
watts	8	14	21	28	35
lumens	400	1350	2100	2900	3650
current	136 mA	136 mA	198 mA	253 mA	315 mA
in-rush current	less than 5 AMP				
CRI	> 82	> 82	> 82	> 82	> 82
voltage	AC 120	AC 120	AC 120	AC 120	AC 120
frequency	60 Hz	60 Hz	60 Hz	60 Hz	60 Hz
maximum watts in line	585 Watts	585 Watts	585 Watts	585 Watts	585 Watts

Accessories

	Description	Code No.
	Power Cord, Connecting Cables, Hardwire Box, Direct Connector and Switch	same as SlimLite, see page 75
Replacement Bulb	8W Cool White	SFB8
	8W Warm White	SFB8WW
	14W Cool White	SFB14
	14W Warm White	SFB14WW
	21W Cool White	SFB21
	21W Warm White	SFB21WW
	28W Cool White	SFB28
	28W Warm White	SFB28WW
	35W Cool White	SFB35
	35W Warm White	SFB35WW
Plexiglas Cover	for ES12	SPLEX12
	for ES22	SPLEX22
	for ES34	SPLEX34
	for ES46	SPLEX46
	for ES59	SPLEX59

SlimLite XL Grounded

NEW

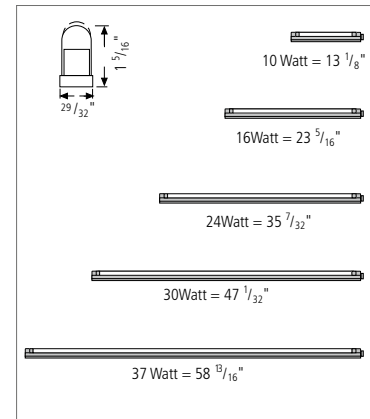


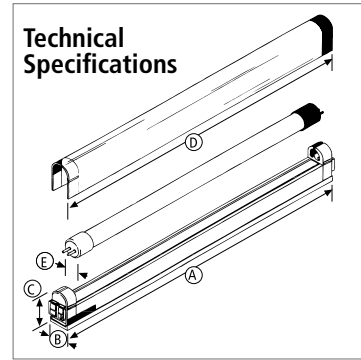
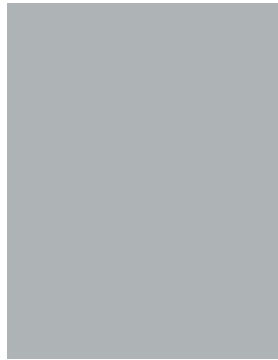
Compact, Grounded Fluorescent Fixture

The SlimLite XL/G offers all the benefits of SlimLite and in addition, enhances personal safety while helping to protect against unwanted voltages, currents and power surges. The Grounded Slimlite XL is supplied in five lengths enabling continuous rows of light of up to 585 W, which makes it the perfect lighting system for gondolas, store fixtures and long runs of shelves. SlimLite XL/G features standard T-5 lamps which are available in a variety of colors with an optional plexiglas cover.

Product-Features

- Built-in electronic ballast
- Energy Efficient
- Uses standard T-5 lamps, CRI > 82 (to be ordered separately)
- Extremely long bulb life of 20,000 hours
- Available in five lengths
- Optional plexiglas cover available (to be ordered separately)
- Contemporary white housing
- End of life circuitry to protect ballast
- Includes mounting brackets





What you'll need to buy

SlimLite XL Grounded Light Fixture

Description	Watt	Length	Code No.
12"	10	13 1/8"	ES12/G
22"	16	23 5/16"	ES22/G
34"	24	35 7/32"	ES34/G
46"	30	47 1/32"	ES46/G
59"	37	58 13/16"	ES59/G

Also available with bulb and cover. Add BC (Cool White) or WW BC (Warm White) to product code.

	ES12	ES22	ES34	ES46	ES59
(A) fixture length	13 1/8"	23 5/16"	35 7/32"	47 1/32"	58 13/16"
(B) fixture width	1 1/32"	1 1/32"	1 1/32"	1 1/32"	1 1/32"
(C) fixture height with diffuser	1 11/16"	1 11/16"	1 11/16"	1 11/16"	1 11/16"
(D) tube length	11 1/4"	21 1/2"	33 1/4"	45 1/8"	57"
(E) tube diameter	T5 (5/8")	T5 (5/8")	T5 (5/8")	T5 (5/8")	T5 (5/8")
watts	10	16	24	30	37
lumens	400	1350	2100	2900	3650
current	136 mA	136 mA	198 mA	253 mA	315 mA
in-rush current	less than 5 AMP				
CRI	> 82	> 82	> 82	> 82	> 82
voltage	AC 120	AC 120	AC 120	AC 120	AC 120
frequency	60 Hz	60 Hz	60 Hz	60 Hz	60 Hz
maximum watts in line	585 Watts	585 Watts	585 Watts	585 Watts	585 Watts

Accessories

	Description	Code No.
A	Power Cord	
	6' long	SPC/XL/G
	Note: 72" standard. 24" and 48" available	6' with rocker switch SPC72/S/XL/G
C	Connecting Cables	
	6" long	SCC6/XL/G
	6" long with straight connector	SCC6/STC/G
D	Direct Connector	SDC/XL/G
E	Replacement Bulb	
	8 W Cool White	SFB8
	8 W Warm White	SFB8WW
	14 W Cool White	SFB14
	14 W Warm White	SFB14WW
	21 W Cool White	SFB21
	21 W Warm White	SFB21WW
	28 W Cool White	SFB28
	28 W Warm White	SFB28WW
	35 W Cool White	SFB35
	35 W Warm White	SFB35WW
F	Hardwire Box	SHWC/XL/G
	with switch	SHWC/S/XL/G
G	ON/OFF Rocker Switch	SRS/XL/G
	Plexiglas Cover	
	for ES12/G	SPLX12/G
	for ES22/G	SPLX22/G
	for ES34/G	SPLX34/G
	for ES46/G	SPLX46/G
	for ES59/G	SPLX59/G

SlimLite T4



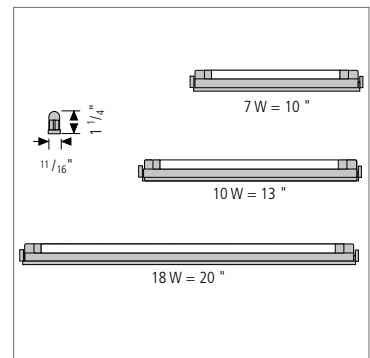
A Fluorescent So Compact, It Fits Even The Most Hard-To-Light Areas In Furniture, Displays Or Under Cabinets

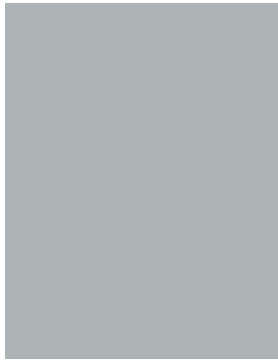
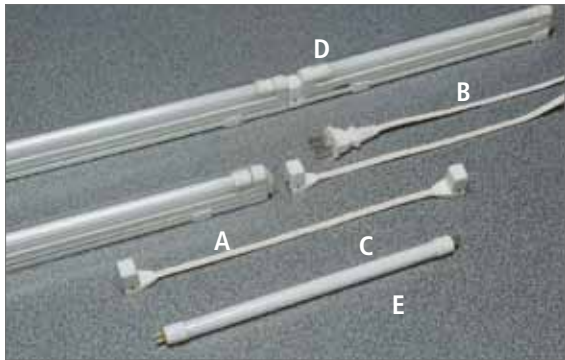
The fixture is easy to install with a snap-in system. You can also combine several fixtures effortlessly. The modular connecting system makes it simple to create long, continuous lines of fluorescent lighting to fit any space. Its high light-output and an extremely low heat index make the SlimLite ideal for displays and cases.

More Light · Less Heat · Easier Installation · More Flexibility

Product-Features

- Built-in electronic ballast
- Energy efficient, only 7, 10 and 18 W
- Slender profile fits virtually any furniture, cabinet or display
- Attractive, easy to clean plexiglas cover protects bulb
- Instant starting, Tri Phosphor lamp is quiet and flicker-free
- Plug-in modular system permits easy connection for continuous lighting
- Extremely long bulb life, rated 10,000 hrs.
- Contemporary white housing
- Available in three different lengths: 10", 13", and 20"; width: $1\frac{1}{16}$ " ; height: $1\frac{1}{4}$ "
- Available with T4 cool white or warm white bulb, CRI > 82
- Max. lamp watts in line 144
- End of lamp life circuitry to protect ballast (10 & 18 W)





What you'll need to buy

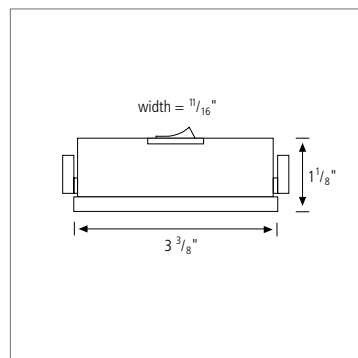
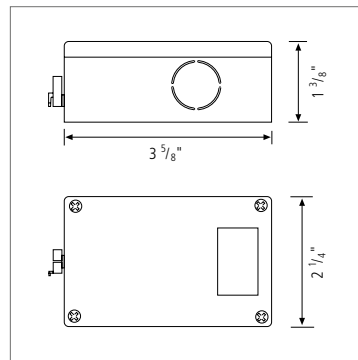
SlimLite Fluorescent Light Fixture

	Description	Watt	Length	Light Temperature	Code No.
A	ES20	18	20"	Cool White (4100K)	ES20/P
				Warm White (3450K)	ES20WW/P
	ES13	10	13"	Cool White (4100K)	ES13/P
				Warm White (3450K)	ES13WW/P
	ES10	7	10"	Cool White (4100K)	ES10/P
				Warm White (3450K)	ES10WW/P

All light fixtures including bulb and plexiglas cover

Accessories

	Description	Code No.
B	Power Cord	
	6' long	SPC/XL
	6' with roller switch	SPC/S/XL
Note: Power cords and connecting cables are also available with 90° or straight connectors and in various lengths		
C	Connecting Cables	
	6" long	SCC6/XL
	1' long	SCC12/XL
	2' long	SCC24/XL
	4' long	SCC48/XL
	6' long	SCC72/XL
	10' long	SCC120/XL
D	Direct Connector	SDC/XL
E	Replacement Bulb	
	7 W Cool White	SFB7
	7 W Warm White	SFB7WW
	10 W Cool White	SFB10
	10 W Warm White	SFB10WW
	18 W Cool White	SFB18
	18 W Warm White	SFB18WW
F	Hardwire Box	SHWC/XL
	with switch	SHWC/S/XL
G	ON/OFF Rocker Switch	SRS/XL



E-Lite2



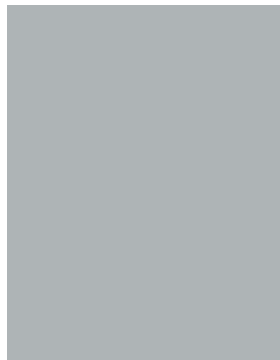
Economically Priced, Compact Grounded Fluorescent Light Fixture

E-Lite2 is ideal for installation in residential applications as well as lower end or temporary displays. E-Lite2 features many SlimLite XL benefits (connectivity, integrated ballast, small dimensions) at a lower overall quality level. If pricing is the main decision factor, E-Lite2 is the perfect lighting solution.

Product-Features

- Built-in, medium efficient electronic ballast
- Includes cool white T5 bulb, 4100 K
- Includes plexiglas cover
- Grounded, Plug-in modular system permits easy connection for continuous lighting
- Rated bulb life 10,000 hours
- Available in five different lengths: 12 ⁵/₁₆" , 22 ⁹/₁₆" , 34 ³/₈" , 46 ¹/₄" , 58 ¹/₈"

T5	EL2/12	EL2/23	EL2/34	EL2/46	EL2/59
Length	12 ⁵ / ₁₆ "	22 ⁹ / ₁₆ "	34 ³ / ₈ "	46 ¹ / ₄ "	58 ¹ / ₈ "
Width	¹³ / ₁₆ "	¹³ / ₁₆ "	¹³ / ₁₆ "	¹³ / ₁₆ "	¹³ / ₁₆ "
Height	1 ⁹ / ₁₆ "	1 ⁹ / ₁₆ "	1 ⁹ / ₁₆ "	1 ⁹ / ₁₆ "	
Watts	8	14	21	28	35
Lumens	481	1269	1846	2445	3512
Voltage	120	120	120	120	120



What you'll need to buy:

E-Lite2 Light Fixtures

Length	Code No.
12 ⁵ / ₁₆ "	EL2/12
22 ⁹ / ₁₆ "	EL2/23
34 ³ / ₈ "	EL2/34
46 ¹ / ₄ "	EL2/46
58 ¹ / ₈ "	EL2/59

Accessories

	Description	Code No.	
Power Cord	72" long	EL2PC	
	72" long 90°	EL2PC/90°up	
Connecting Cables	6" long	EL2CC/6	
	12" long	EL2CC/12	
	6" long 90°	EL2CC/6/90°up	
	12" long 90°	EL2CC/12/90°up	
			EL2MC
Mounting Clip w/ Direct Connector		EL2MC	
	Replacement Bulb Cool White	8 Watt	EL2B8CW
		14 Watt	EL2B14CW
		21 Watt	EL2B21CW
		28 Watt	EL2B28CW
35 Watt		EL2B35CW	
Replacement Bulb Warm White	8 Watt	EL2B8WW	
	14 Watt	EL2B14WW	
	21 Watt	EL2B21WW	
	28 Watt	EL2B28WW	
	35 Watt	EL2B35WW	
Hardwire Box		EL2HWB	

Please Note: The maximum inline number of fixtures for the Elite2 is eight fixtures, regardless of size.

KB12/KBS12



Compact Surface Or Recessed Mounted Spotlight

Designed for various applications, e. g. kitchen cabinets, display cases, exhibits, etc. Ideal for installation in wood and sheet metal.

Product-Features

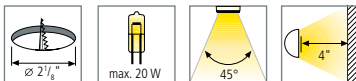
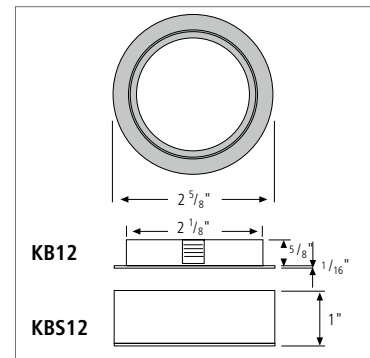
KB12

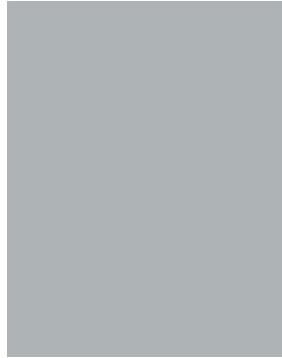
- Recess depth $\frac{5}{8}$ " or $\frac{1}{2}$ " (with spacer ring R12)
- Highly polished aluminum reflector
- Friction fit
- Easy to relamp
- Clear or frosted tempered glass lens
- 12 V/10 or 20 W bulb included
- Attached 72" connecting cable with NV6 plug
- Available in white, black, chrome, stainless steel and gold
- Special accessories available:
R12-Spacer ring to reduce recess depth
- Can be used with 10,000 hrs. Xenon bi-pin bulb (special order)

4,000 hrs. Osram bulb included

KBS12

- Same as KB12 but surface mounted
- Overall surface height 1"
- Available in complete sets of 2, 3 or 5 lights





What you'll need to buy

Spotlights

KB12

Recessed, 20 W

Finish	Code No.
White	KB1220WH
Black	KB1220BL
Chrome	KB1220CH
Gold	KB1220GO
Stainless Steel	KB1220SS

KBS12

Surface mounted, 20 W

Finish	Code No.
White	KBS1220WH
Black	KBS1220BL
Chrome	KBS1220CH
Gold	KBS1220GO
Stainless Steel	KBS1220SS

Transformers (for specs refer to pages 92, 94)

Description	Code No.
Premium 60 Watt	UC-60FT
Premium 120 Watt	UK-120TW

Optional accessories

Description	Refer to pages
Dimmers	95 – 96
Connecting Cables	97
Terminal Blocks	97

The KB12 spotlights can also be purchased in complete kits of 2, 3 and 5 light fixtures, including transformer, connecting cables and all hardware. Refer to pages 84 – 85 of the catalog.

ARF20 /ARFS20



Low-Profile Recessed Or Surface Mounted Halogen Spotlight

This friction fit spotlight is designed for installation in kitchen cabinets, display cases and furniture. The ARF is the highest quality halogen spotlight and perfectly suitable for commercial applications.

Product-Features

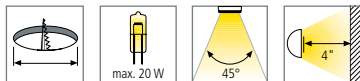
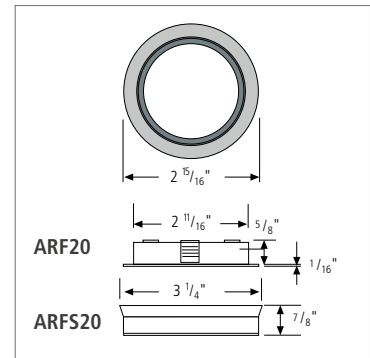
4,000 hrs. Osram bulb included

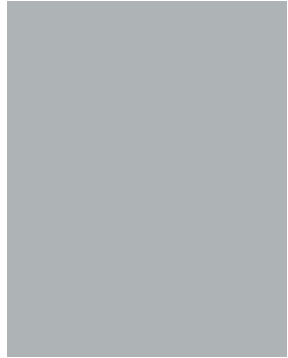
ARF20

- Recess depth only $\frac{5}{8}$ " or $\frac{1}{2}$ " (with spacer ring DR13)
- Highly polished aluminum reflector
- Includes 12 V/20 W bulb
- Friction fit
- Easy to relamp
- Same design as CBS20 but for under-the-cabinet applications
- Overall surface height less than $\frac{1}{16}$ "
- Frosted tempered glass lens
- Attached 72" connecting cable with NV6 plug
- Available in white, black, chrome, stainless steel and gold
- Special accessories available:
DR13 – Spacer ring to reduce recessed depth
- Can be used with 10,000 hrs. Xenon bi-pin bulb (special order)

ARFS20

- Same as ARF20 but surface mounted
- Overall height only $\frac{7}{8}$ "
- Available in complete sets of 2, 3 or 5 lights





What you'll need to buy

Spotlights

ARF20

Recessed, 20 W

Finish	Code No.
White	ARF20WH
Black	ARF20BL
Chrome	ARF20CH
Gold	ARF20GO
Stainless Steel	ARF20SS

ARFS20

Surface mounted, 20 W

Finish	Code No.
White	ARFS20WH
Black	ARFS20BL
Chrome	ARFS20CH
Gold	ARFS20GO
Stainless Steel	ARFS20SS

Transformers (for specs refer to pages 92, 94)

Description	Code No.
Premium 60 Watt	UC-60FT
Premium 120 Watt	UK-120TW

Optional Accessories

Description	Refer to pages
Dimmers	95 – 96
Connecting Cables	97
Terminal Blocks	97

The ARF spotlights can also be purchased in complete kits of 2, 3 and 5 light fixtures, including transformer, connecting cables and all hardware. Refer to pages 84 – 85 of the catalog.

Arclamp



The Overwhelming Light Fixture

Attractive design, easy to install, for various applications such as kitchen, bathroom and living room. Also perfect for displays or exhibition booths.

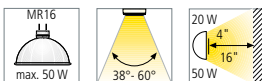
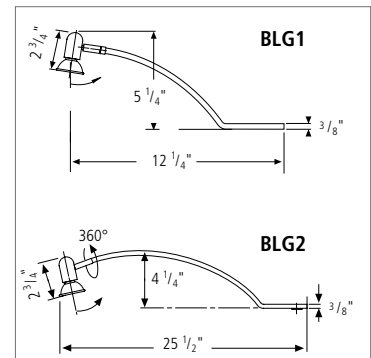
Product-Features

BLG1

- High quality metal housing, 12 1/4" long with swivel head
- Easy installation using welded hold down clamp (2 screws)
- Long life 20, 35 or 50 W, lensed MR16 bulb included
- Attached 6" connecting cable with NV6 plug
- High light output while using minimum energy
- Easy lamp replacement
- Available in chrome, gold, matt nickel, brushed aluminum, black and white
- Very reasonably priced
- Special order colors and sizes are available for minimum quantities
- Includes 79" connecting cable
- LED adaptable with MR16LED

BLG2

- Same as BLG1 but 25 1/2" long





What you'll need to buy

Spotlights

BLG1 Arclamp, with swivel head

Finish	Code No.
White	BLG1/20WH
Black	BLG1/20BL
Chrome	BLG1/20CH
Matte Chrome	BLG1/20MCH
Matte Nickel	BLG1/20NI

BLG2 Arclamp, long with swivel head

Finish	Code No.
White	BLG2/50WH
Black	BLG2/50BL
Chrome	BLG2/50CH
Matte Chrome	BLG2/50MCH
Matte Nickel	BLG2/50NI

Transformers (for specs refer to pages 92, 94)

Description	Code No.
Premium 60 Watt	UC-60FT
Premium 120 Watt	UK-120TW

Optional Accessories

Description	Refer to pages
Dimmers	95 – 96
Connecting Cables	97
Terminal Blocks	97
Replacement Bulbs including MR16LED	98

Premium Sets



Product-Features

KBS12 and ARFS Sets

- These low voltage sets consist of halogen spotlights (for recessed or surface mounting), UC-60FT or UK-120TW (5 light sets) transformers, connecting cables and all hardware to make the installation easy
- Available in white, black, chrome, gold and stainless steel
- The sets are packaged in an attractive carton suitable for display
- Available in 2, 3 or 5 light sets

What you'll need to buy

Spotlights

ARFS 2 Light Sets

Finish	Code No.
White	E/SET1ARFS20WH
Black	E/SET1ARFS20BL
Chrome	E/SET1ARFS20CH
Gold	E/SET1ARFS20GO
Stainless Steel	E/SET1ARFS20SS

ARFS 5 Light Sets

Finish	Code No.
White	E/SET3ARFS20WH
Black	E/SET3ARFS20BL
Chrome	E/SET3ARFS20CH
Gold	E/SET3ARFS20GO
Stainless Steel	E/SET3ARFS20SS

ARFS 3 Light Sets

Finish	Code No.
White	E/SET2ARFS20WH
Black	E/SET2ARFS20BL
Chrome	E/SET2ARFS20CH
Gold	E/SET2ARFS20GO
Stainless Steel	E/SET2ARFS20SS

KBS12 2 Light Sets

Finish	Code No.
White	E/SET1KBS20WH
Black	E/SET1KBS20BL
Chrome	E/SET1KBS20CH
Gold	E/SET1KBS20GO
Stainless Steel	E/SET1KBS20SS



KBS12 3 Light Sets

Finish	Code No.
White	E/SET2KBS20WH
Black	E/SET2KBS20BL
Chrome	E/SET2KBS20CH
Gold	E/SET2KBS20GO
Stainless Steel	E/SET2KBS20SS

KBS12 5 Light Sets

Finish	Code No.
White	E/SET3KBS20WH
Black	E/SET3KBS20BL
Chrome	E/SET3KBS20CH
Gold	E/SET3KBS20GO
Stainless Steel	E/SET3KBS20SS

Optional Accessories

Description	Refer to pages
Dimmers	95 – 96
Connecting Cables	97
Terminal Blocks	97

TriTech



Light Years Ahead In Form And Function

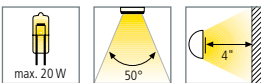
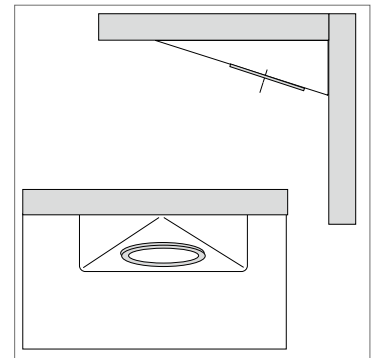
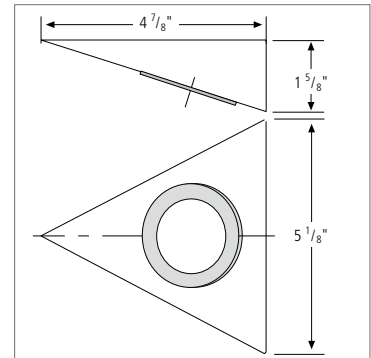
Elegant stainless steel housing. Ready to connect with the convenient Hera plug-in system. The stylish TriTech goes under cabinets and over entertainment areas, enriching your beautiful design.

Product-Features

TR20

4,000 hrs. Osram bulb included

- High quality triangle housing available in brushed stainless steel, copper and white
- Extremely easy installation with only one screw
- Convenient integration into Hera halogen systems
- Integrated halogen spot KB12 V/20 W, available in: stainless steel, copper and white
- Attached 72" connecting cable
- Can be used with 10,000 hrs. Xenon bi-pin bulb (special order)
- To be used with Hera electronic transformers





What you'll need to buy

Spotlights

TriTech

Finish	Code No.
Copper	TR20CO
Stainless Steel	TR20SS
White	TR20WH

Transformers (for specs refer to pages 92, 94)

Description	Code No.
Premium 60 Watt	UC-60FT
Premium 120 Watt	UK-120TW

Optional Accessories

Description	Refer to pages
Dimmers	95 – 96
Connecting Cables	97
Terminal Blocks	97

ER1/ES1



Economically Priced Recessed Or Surface Mounted Halogen Spotlight

Accent lighting for vanities, displays, furniture, kitchen cabinets or boats.

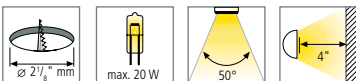
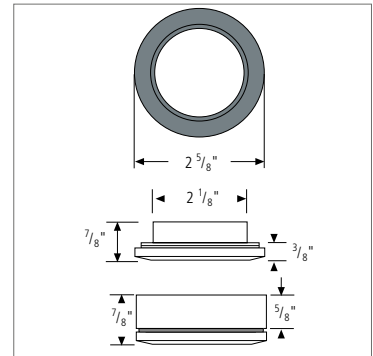
Product-Features

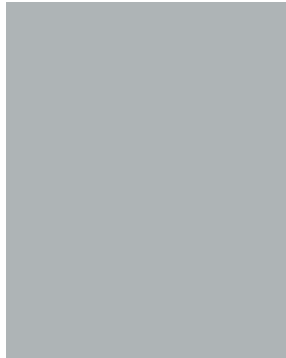
ER1

- Recess depth only $\frac{5}{8}$ " or $\frac{1}{2}$ " (with spacer ring DR1)
- Aluminum reflector
- Screw on decor-ring
- Friction fit
- Easy to relamp
- 12 V/10 or 20 W bulb included
- Attached 79" connecting cable with NV6 plug
- Available in white, black, chrome, stainless steel and gold
- Special accessories available: DR1-spacer ring

ES1

- Same as ER1 but surface mounted
- Overall height only $\frac{7}{8}$ "
- Available in complete kits of 2, 3 or 5 lights





What you'll need to buy

Spotlights

ER1

Recessed, 20 W

Finish	Code No.
White	ER120WH
Black	ER120BL
Chrome	ER120CH
Gold	ER120GO
Stainless Steel	ER120SS

ES1

Surface mounted, 20 W

Finish	Code No.
White	ES120WH
Black	ES120BL
Chrome	ES120CH
Gold	ES120GO
Stainless Steel	ES120SS

Transformers (for specs refer to pages 92 – 94)

Description	Code No.
Ecoline 60 Watt	UE-E60FT
Premium 60 Watt	UC-60FT
Premium 120 Watt	UK-120TW

Optional Accessories

Description	Refer to pages
Dimmers	95 – 96
Connecting Cables	97
Terminal Blocks	97

ES1 2 Light Sets, 20 W

Finish	Code No.
White	C/SET1ES120WH
Black	C/SET1ES120BL
Chrome	C/SET1ES120CH
Gold	C/SET1ES120GO
Stainless Steel	C/SET1ES120SS

ES1 3 Light Sets, 20 W

Finish	Code No.
White	C/SET2ES120WH
Black	C/SET2ES120BL
Chrome	C/SET2ES120CH
Gold	C/SET2ES120GO
Stainless Steel	C/SET2ES120SS

ES1 5 Light Sets, 20 W

Finish	Code No.
White	C/SET3ES120WH
Black	C/SET3ES120BL
Chrome	C/SET3ES120CH
Gold	C/SET3ES120GO
Stainless Steel	C/SET3ES120SS

These sets include UE-E60FT transformers, connecting cables and all hardware to make the installation easy

XR1/XS1



Surface Or Recessed Mounted Xenon Spotlights

Accent lighting for vanities, displays, furniture, kitchen cabinets or boats. Hera Xenon fixtures combine the advantages of a long bulb life and lower bulb temperatures.

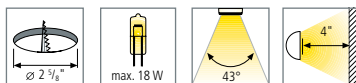
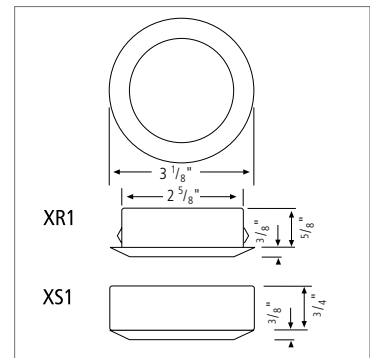
Product-Features

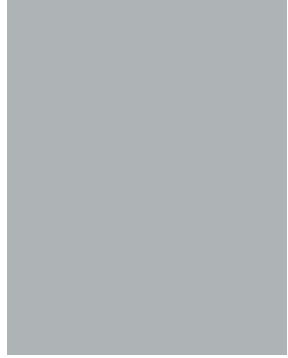
XR1

- Recess depth only $\frac{5}{8}$ "
- Aluminum reflector
- Frosted tempered glass lens
- Easy to relamp
- 12 V/18 W Xenon bulb included, 8,000 hrs. lifetime
- Attached 79" connecting cable with NV6 plug
- Available in white, black, chrome, stainless steel and gold
- To be used with Hera electronic transformers

XS1

- Same as XR1 but surface mounted
- Overall height only $1 \frac{1}{8}$ "





What you'll need to buy

Spotlights

XR1

Recessed

Finish	Code No.
White	XR1WH
Black	XR1BL
Chrome	XR1CH
Gold	XR1GO
Stainless Steel	XR1SS

XS1

Surface mounted

Finish	Code No.
White	XS1WH
Black	XS1BL
Chrome	XS1CH
Gold	XS1GO
Stainless Steel	XS1SS

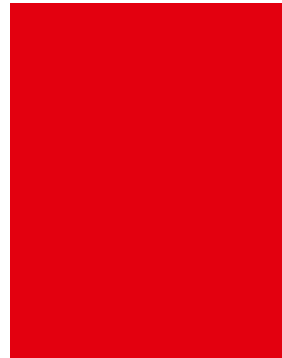
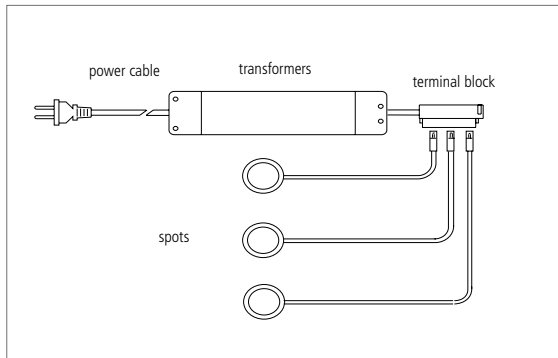
Transformers (for specs refer to pages 92 – 94)

Description	Code No.
Premium 60 Watt	UC-60FT
Premium 120 Watt	UK-120TW
EcoLine 60 Watt	UE-E60FT

Optional Accessories

Description	Refer to pages
Dimmers	95 – 96
Connecting Cables	97
Terminal Blocks	97

UC-60FT



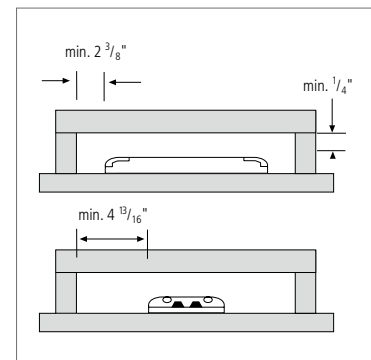
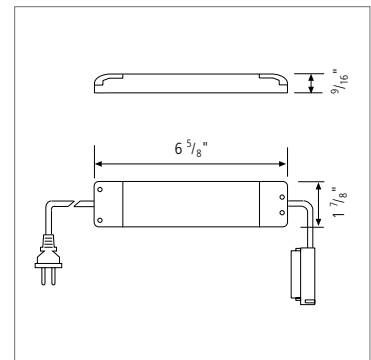
Ultra-Slim Electronic Premium Transformer

Its height of only $\frac{1}{2}$ " makes this transformer the preferred choice for even the tightest areas. This high-end transformer features an integrated radio frequency interference suppressor. It's especially recommended for commercial applications, entertainment centers, etc.

Product-Features

UC-60FT

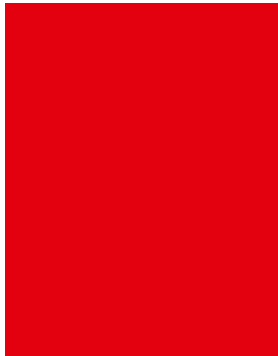
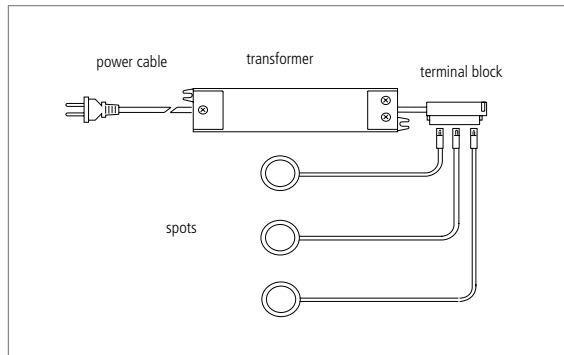
- Ultra-slim, only $\frac{1}{2}$ " high
- 110 V/11.5 V eff, 10 – 60 VA
- Weight only 3.2 oz
- Short Circuit protection
- Overload protection
- Overheat protection
- Soft start for maximum lamp life
- Dimmable with standard dimmers
- Radio Frequency Interference Suppressor
- Voltage compensation circuit
- 79" plug-in power cord
- 10" 12 V connector with NVK6/3 plug-in terminal
- Auto reset technology – no fuses



What you'll need to buy

Description	Code No.
Premium Transformer 60 W	UC-60FT

UE-E60FT



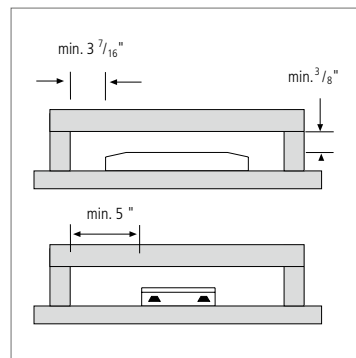
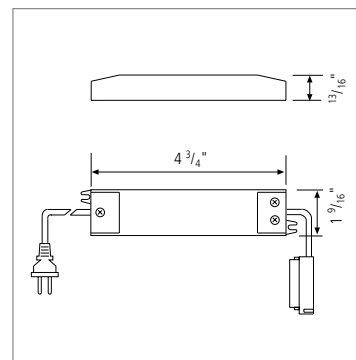
Compact Electronic Ecoline Transformer

New Compact Economically Priced Electronic Transformer. This transformer uses latest SMD technology. Standard power supply, suitable for all Hera halogen spotlights. Perfect for residential applications.

Product-Features

UE-E60FT

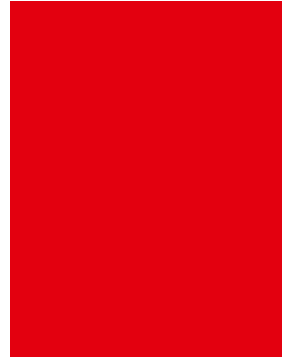
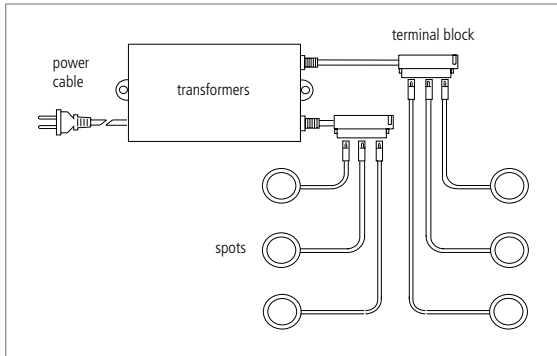
- 110 V/11.5 V eff, 10 – 60 VA
- Weight only 3.2 oz
- Short Circuit protection
- Overload protection
- Overheat protection
- Soft start for maximum lamp life
- Dimmable with standard dimmers
- Voltage compensation circuit
- 79" plug-in power cord
- 10" 12 V connector with NVK6/3 plug-in terminal
- Auto reset technology – no fuses



What you'll need to buy

Description	Code No.
Ecoline Transformer 60 W	UE-E60FT

UK-120TW



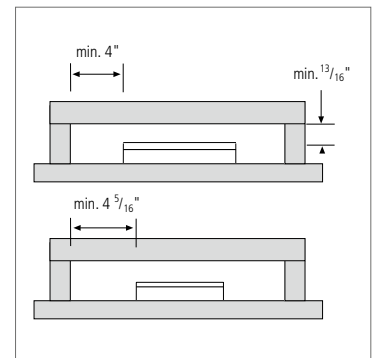
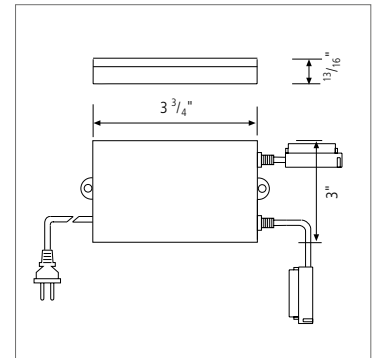
New 120 VA Class II Premium Electronic Transformer

Finally, a 120 VA transformer which meets UL's strictest Class II requirements. This high-end transformer features an integrated radio frequency interference suppressor which makes it perfect for commercial and residential applications.

Product-Features

UK-120TW

- Very compact dimensions
- 110 V/11.5 V eff, 20 – 120 VA
- Weight only 4.8 oz
- Short Circuit protection
- Overload protection
- Overheat protection
- Soft start for maximum lamp life
- Dimmable with standard dimmers
- Radio Frequency Interference Suppressor
- Voltage compensation circuit
- 79" plug-in power cord
- 2 x 10" 12 V connector with NVK6/3 plug-in terminal
- Auto reset technology – no fuses



What you'll need to buy

Description	Code No.
Premium Transformer 120 W	UK-120TW

ETD1/ETD1/TP



Touch Dimmer

Four level dimmer. For fingertip control of switching and dimming just connect the touch control wire to any metallic surface, e. g. cabinet hinge, metal screw, metal knob, etc. or use the touch pad version when a metal surface is not available.

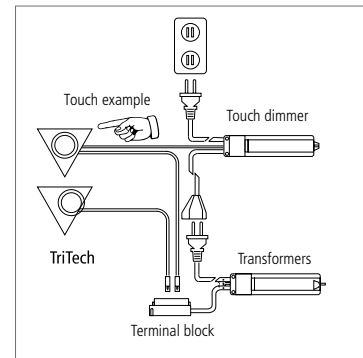
Product-Features

ETD1

- 110 V/60Hz maximum 300 W
- Can be used with 1 – 5 60 W or 1 – 2 120 W electronic transformers
- Provides 4 level linear dimming: off, 50 %, 75 %, 100 %
- Easy installation – no wiring necessary

ETD1/TP

- Same as above, but with touch pad



What you'll need to buy

Description	Code No.
Touch Dimmer	ETD1
Touch Dimmer with Touch Pad	ETD1/TP

ERD1



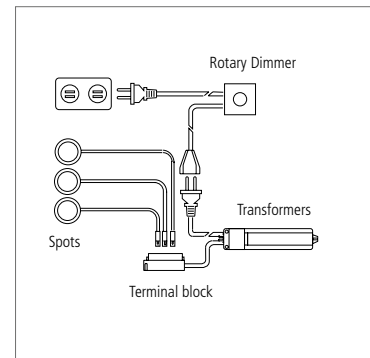
Rotary Dimmer

Full range dimmer for all Hera halogen systems.

Product-Features

ERD1

- 110 V/60Hz maximum 300 W
- Can be used with 1 – 5 60 W or 1 – 2 120 W electronic transformers
- Provides linear dimming from 0 – 100 %
- Easy installation – no wiring necessary
- Available in black or white



What you'll need to buy

Description	Code No.
Rotary Dimmer	ERD1

Connecting Cable 2NV6 Terminal Block NVK6/4



Connecting Cable 2NV6

Low voltage cable for variable length connections between Hera transformer and halogen spotlights.

Product-Features

2NV6

- Available in four different lengths: 20", 39", 79" and 119"
- NV6 plugs for easy connections on both ends
- Max. distance 16' between spotlight and transformer

What you'll need to buy

Length	Code No.
20"	2NV6500
39"	2NV61000
79"	2NV62000
119"	2NV63000

Terminal Block NVK6/4

Low voltage connector for all Hera 10 W halogen spotlights.

Product-Features

NVK6/4

- To be used if more than three 10 W halogen spotlights need to be connected to one transformer
- Easy plug-in installation
- Allows connections of up to six or twelve 10 W halogen spotlights to one Hera transformer

What you'll need to buy

Description	Code No.
Terminal Block	NVK64

Halogen, Xenon and LED Bulbs



1



2



3

What you'll need to buy

1	Description	Watt	Hours	Code No.
	Premium Halogen Bulb	10 W	4,000	PB10
	Premium Halogen Bulb	20 W	4,000	PB20
	Ecoline Halogen Bulb	10 W	2,000	EB10
	Ecoline Halogen Bulb	20 W	2,000	EB20
	Ecoline Halogen Bulb, frosted	20 W	2,000	EBF20
	Xenon Bulb	10 W	10,000	X-HB10
	Xenon Bulb	20 W	10,000	X-HB20
	Xenon Bulb for XR1/XS1	18 W	8,000	X-B18
2	Description	Watt	Hours	Code No.
	MR 11 Halogen Bulb for EH 24	20 W	3,000	BEH24
	MR 16 Halogen Bulb for Arclamps	20 W	3,000	MR1620
	MR 16 Halogen Bulb for Arclamps	35 W	3,000	MR1635
	MR 16 Halogen Bulb for Arclamps	50 W	3,000	MR1650
3	Description	Watt	Hours	Code No.
	MR 16 LED Bulb for Arclamps, Cool White	3 x 1 W	50,000	MR16LED
	LED Bulb with screw in base (E27) WW			LEDBULB

Store Fixtures & Displays



Hera worked with RCS Innovations to illuminate this jewelry store using energy efficient LEDs.



Hera Spotlight LEDs help save on energy and maintenance costs.



Stick2-LEDs produce virtually no heat so they are the perfect solution for retail displays as they will not damage merchandise.

Store Fixtures & Displays



Stick2-LED offers maximum lighting impact with its low profile, which can be applied to very confined places such as these wine case displays.



Hera's ER-LEDs are used in this eyeglass display. They are the perfect solution for energy saving, surface mounted spotlights.



Leeman Architecture used Hera's Slimlite XL to illuminate this cellular display.

Store Fixtures & Displays



HO-LED1 and SlimLite XL were used as a retrofit for this Canadian pharmacy. The company saved \$1 million per year in energy and lamp change costs, reduced failure rates and consolidated ballasts to one manufacturer.



Stick2-LED and TwinStick2-LED seamlessly backlight these products with no UV and no heat. Creating contrast and focus in a retail environment helps to increase sales, while the energy savings and low maintenance of LEDs help decrease costs.



Hera's LED make the jewelry sparkle and bring out its brilliance in this high end jewelry store on Wall Street.

Store Fixtures & Displays



Hera Lighting won an A.R.E. Design award with Focus Lighting for this Frye Flagship Store. The small dimensions of the **Stick2-LED** and **TwinStick2-LED** allowed for total flexibility in the unique design of this space. The LEDs produce virtually no heat which assures that the leather boots and handbags will not be damaged.



Hera offers a variety of **lighting systems** for retail applications. All these systems have one thing in common: they combine lower upfront costs with energy efficiency, high light output and minimal maintenance expenses, offering you an attractive Return of Investment.



The **ARF-LEDs** spotlight is the ideal lighting solution for shoe displays. The spotlight will not damage shoes because it does not emit any UV radiation. Virtually no heat emission makes it safe for your customers.

Hospitality



The **Big6-LED** is easily integrated into this headboard display. It offers a low energy alternative illumination for hotel environments.



Hera's **Stick2-LED** or **TwinStick2-LED** can easily be mounted into headboard displays for added light and its dimming capabilities add ambience to any room.



Flex-LED is ideal for using as a reading light in headboards. The flexible arm allows an exact direction of light to be focused where it is needed.

Commercial | Healthcare



HO-LEDs are illuminating the world's largest ferris wheel in Singapore.



Even staircases can be illuminated using **Stick-LED** and **Twinstick-LED**. They offer adequate light to not only allow high visibility but also give an amazing decorative element.



Lighting up water or other beverages is an easy task with Hera LEDs since there is no heat generated to heat up the product.

Commercial | Healthcare



Stick2-LED provide accent lighting capabilities that enhance the overall design with its continuous lighting and no dark spots.



SlimLite XL is used in this divider wall in the lobby of an upscale resort. Lighting is not only for illumination but compact case good lighting can be incorporated into the overall design of a space.

Commercial/Healthcare



LEDs, such as Hera's **KB12-LED**, **Stick2-LED** and **Big6-LED** offer adequate and appropriate exposure to light, which is critical for health and well being of patients, as well as staff in healthcare settings.



SlimLiteXL and our brand new **AKOD-LED** are the perfect solutions for office environments. They offer exceptional light output with maximum energy efficiency. Proper lighting helps employees stay focused and on task during a busy work day.

Kitchen Cabinets | Residential



Hera is the exclusive lighting partner with Hans Krug for their high end kitchens.

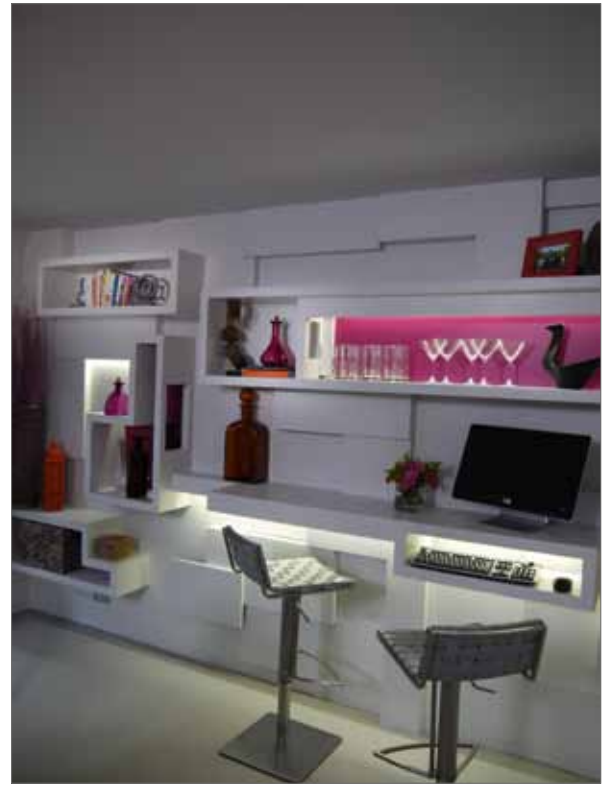


Hera's under cabinet luminaries offer brilliant lighting solutions for even the smallest spaces. The outstanding feature of these systems is their minimal depths and dimensions making it fit virtually anywhere.



The total flexibility of our lighting solutions makes it very easy to add LED or Fluorescent lighting to cabinets to create that special atmosphere you are looking for to entertain your customers and friends.

Kitchen Cabinets | Residential



HGTV's new show Elbow Room put the **TapeVE-LED** to creative use in two episodes with this ceiling cove display and wall niche. Its flexibility and high light output make it the perfect solution for any environment or application.



Several of our LED lighting fixtures are suitable for installation in closets.

Kitchen Cabinets | Residential



MES Mitchell Interiors designed this kitchen using **ARFQ-LEDs** under the cabinets. Not only do they provide the perfect amount of ambient lighting, but they use only 3 W of energy and last for 50,000 hours which means you will never have to change a lightbulb!



Hera's Linear LEDs add a decorative element as well as add significant light to entry ways.



Eye-LEDs are used in this butlers pantry for the perfect amount of light under the cabinets.

Kitchen Cabinets | Residential



This Poggenpahl kitchen looks stylish and modern with the **QPad-LED** mounted under the cabinets. The sleek, low profile design adds not only adequate lighting, but a decorative element as well.



Hera has linear LED lighting solutions to fit any space and any budget. The small dimensions make it a designer's dream.

Signs and Symbols



Underwriters Laboratories Inc. – Listing mark for the USA



Underwriters Laboratories Inc. – Listing mark for Canada



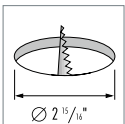
Intertek Testing Services – Listing mark for the USA



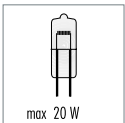
Intertek Testing Services – Listing mark for Canada



New York City Department of Buildings



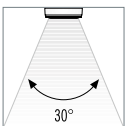
Necessary hole diameter for recessed spotlight



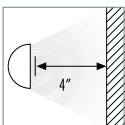
Maximum bulb wattage which can be used in a particular halogen spotlight



Maximum bulb wattage for MR 11 and MR 16 bulbs which can be used in a particular halogen spotlight



Beam angle



Minimum clearance to combustible materials in front of a spotlight



Hera[®]

Hera Lighting L.P
3025 Business Park Drive
Norcross, GA 30071

Telephone (770) 409-8558
Telefax (770) 409-8531
Toll free (800) 336-4372

www.heralighting.com

Subject to technical changes without prior notice. Position as per 4/2013